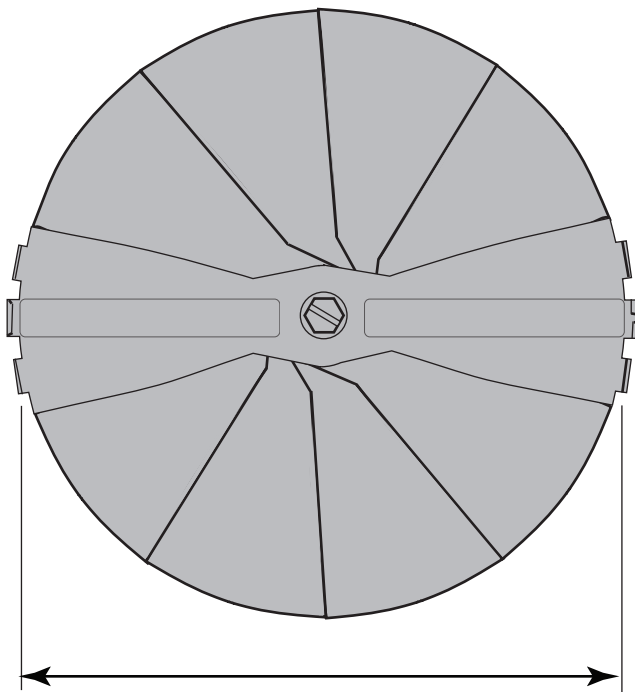
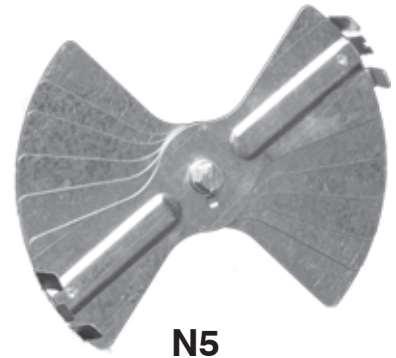
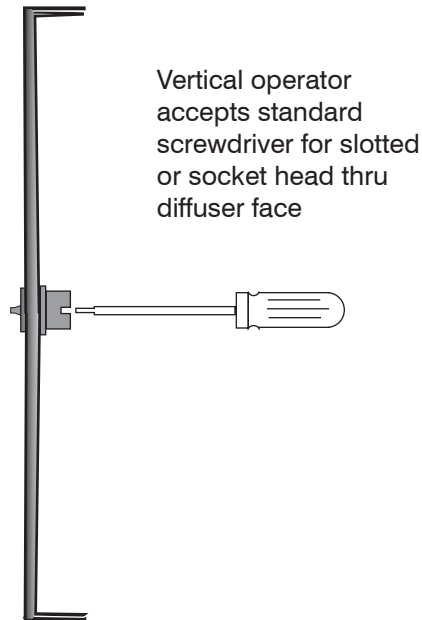


## Round Sliding Blade Damper

**Material:** All galvanized steel.  
**Mounting:** Round collar of diffuser.



Actual Size = Nominal Size - 1/2"



✓	Model #	Nom. Size
	N5 06	6"
	N5 08	8"
	N5 10	10"
	N5 12	12"

Finish	
<input type="checkbox"/> /W White (Default)	<input type="checkbox"/> /C Custom (Please Specify) _____



Schedule type: _____
Job: _____
Architect: _____
Engineer: _____
Contractor: _____