

SUBMITTAL SHEET



ALS20 / ALS27

Linear 1/2" Slot Diffuser

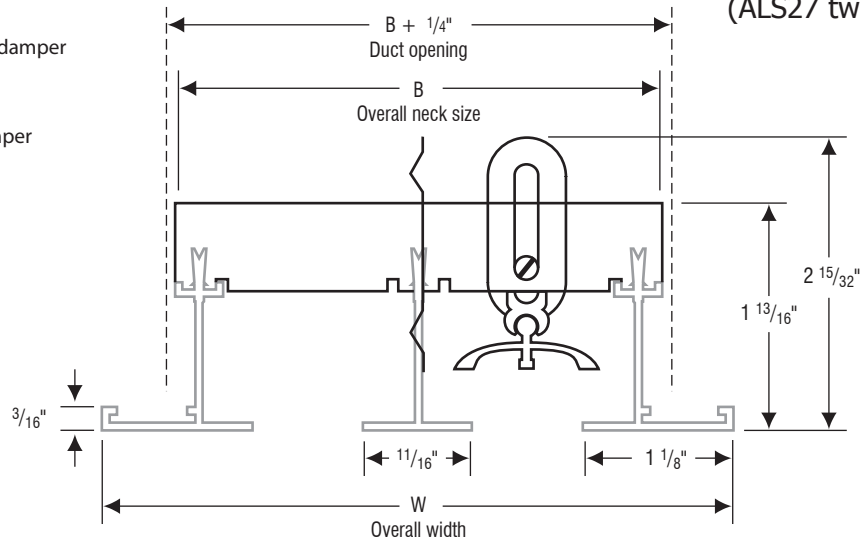
Material: Extruded aluminum construction
Mounting: Surface or Lay-in T-bar ceiling



ALS20 / ALS27
 (ALS27 two slots shown here)

ALS20
 without pattern-control damper

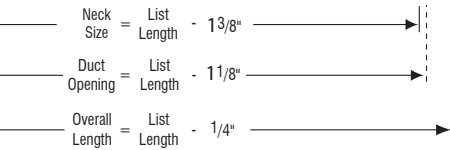
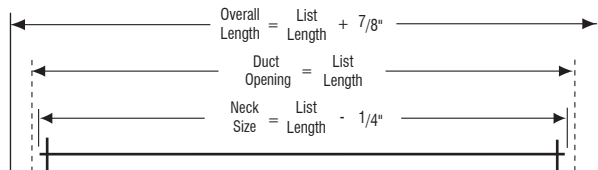
ALS27
 with pattern-control damper



Frame Gasket -GK

Mounting

Surface mounting **-E**



T-bar mounting (N/A with -3) **-T**

✓	NO. OF SLOTS	B	W
	01	1 9/16"	2 23/32"
	02	2 3/4"	3 29/32"
	03	3 15/16"	5 3/32"
	04	5 1/8"	6 9/32"
	05	6 5/16"	7 15/32"
	06	7 1/2"	8 21/32"
	07	8 11/16"	9 27/32"
	08	9 7/8"	11 1/32"



Fastening Method

No Fastening -1	Screw -3	Concealed -4
	 N/A with -T	

Finish

White	Custom (please specify)
-------	-------------------------

Job: _____

Architect: _____

Engineer: _____

Contractor: _____