

SUBMITTAL SHEET

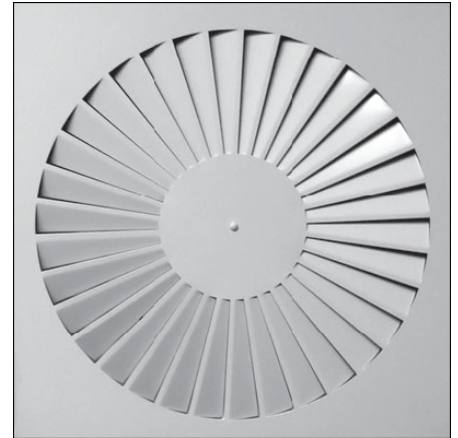


N° DSW

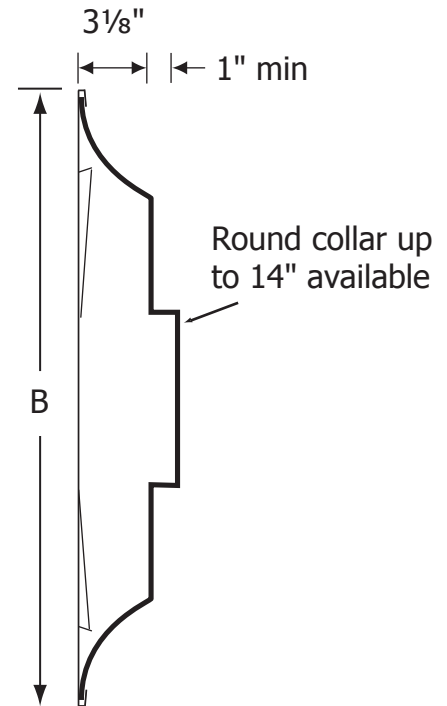
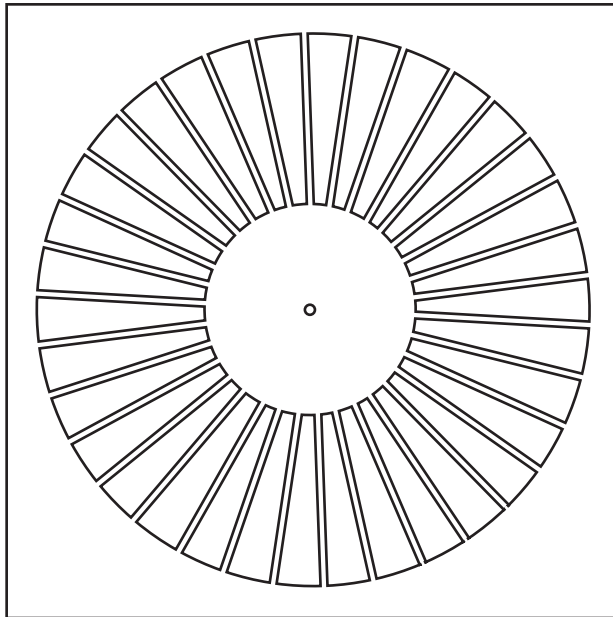
Rev. 0

Swirl Face Supply Diffuser Fixed face

- Material:** Stamped heavy gauge steel
Finish: Powder paint coating - white
Air Pattern: Fixed 360° spiral pattern
Mounting: Lay-in T-bar ceiling



DSW



| ✓ | Model # | Duct Size | Neck Size | Face Dim B x B |
|---|----------|-----------|-----------|-------------------|
| | DSW 2406 | 6 | 5 7/8" | 23 7/8" x 23 7/8" |
| | DSW 2408 | 8 | 7 7/8" | 23 7/8" x 23 7/8" |
| | DSW 2410 | 10 | 9 7/8" | 23 7/8" x 23 7/8" |
| | DSW 2412 | 12 | 11 7/8" | 23 7/8" x 23 7/8" |
| | DSW 2414 | 14 | 13 7/8" | 23 7/8" x 23 7/8" |

All dimensions in inches

| Finish | |
|---|--|
| <input type="checkbox"/> White (Standard) | <input type="checkbox"/> Custom (please specify) |



| | |
|-------------|-------|
| Project: | _____ |
| Architect: | _____ |
| Engineer: | _____ |
| Contractor: | _____ |