

# SUBMITTAL SHEET



N° DSWI

Rev. 0

## Swirl Face Supply Diffuser Fixed face

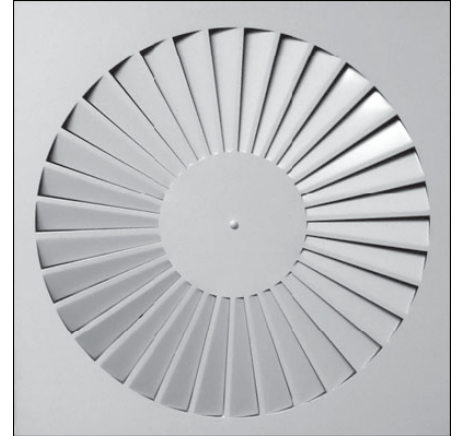
**Material:** Stamped heavy gauge steel back panel.

**Finish:** Powder paint coating - white.

**Air Pattern:** Fixed 360° spiral pattern.

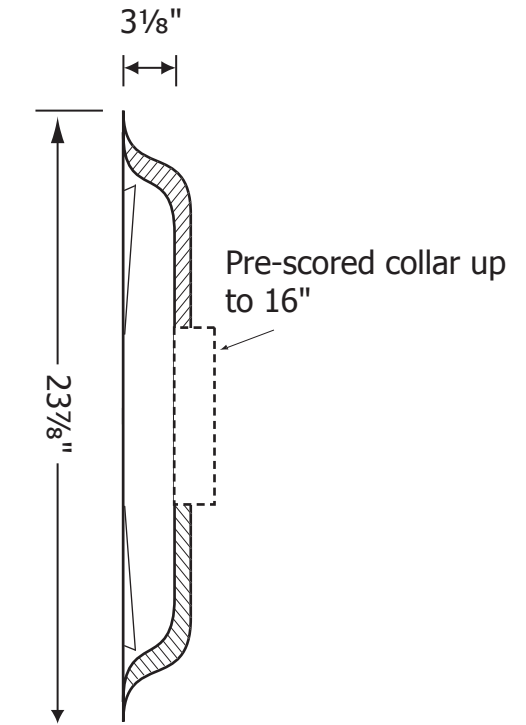
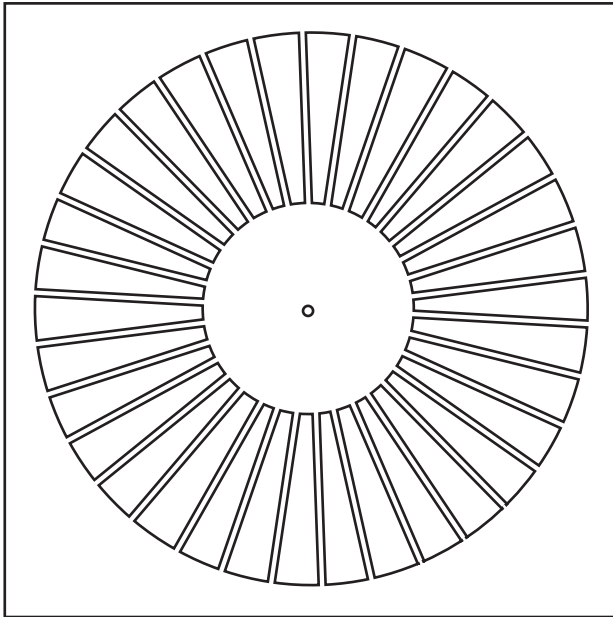
**Mounting:** Lay-in T-bar ceiling.

**Insulation:** R6 Molded Fiberglass.



**DSWI**

Fiberglass back complies with  
A.S.T.M. E84 flame and smoke test.  
Scored for collar sizes up to 14" D.



Finish	
<input type="checkbox"/> White <small>(Standard)</small>	<input type="checkbox"/> Custom <small>(please specify)</small>



Project:	_____
Architect:	_____
Engineer:	_____
Contractor:	_____