

SUBMITTAL SHEET



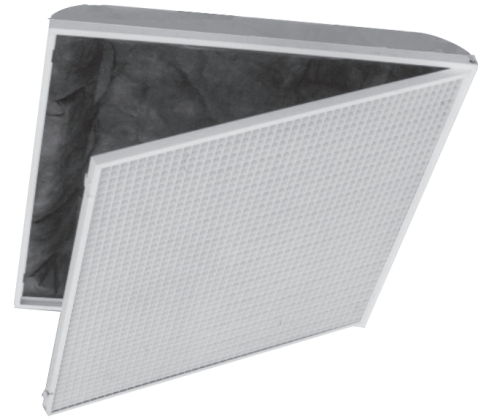
N° ERIF

Aluminum Egg Crate Filter Return with Molded Fiberglass Back Panel Hinged face

Material: Molded fiberglass back with aluminum foil vapor barrier scored for 6" to 14" D. in an extruded aluminum fixed frame. Aluminum grid 1/2"x1/2"x1/2" in hinged extruded aluminum U frame, swing in and out of fixed frame for access to 20"x20" filter, by others.

Finish: Powder paint coating - white.

Mounting: T-bar Lay-in ceiling.

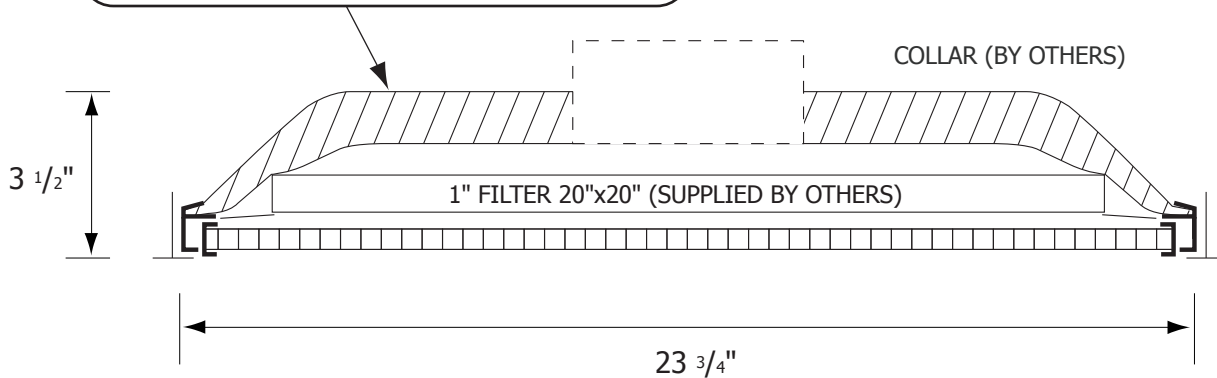


ERIF

Fiberglass back complies with A.S.T.M. E84 flame and smoke test. Scored for collar sizes up to 14" D.

R4

R6



Job: _____

Architect: _____

Engineer: _____

Contractor: _____