

Single Deflection Spiral Duct Grille Adjustable Air Pattern

- Material:** Aluminum construction.
Adjustable blades.
- Finish:** Powder paint coating - white.
- Mounting:** Screw holes mounting.
- Spacing:** 2/3" Blade Spacing



GDA18

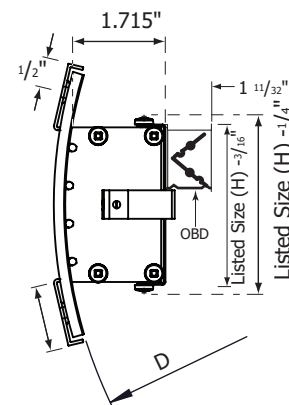
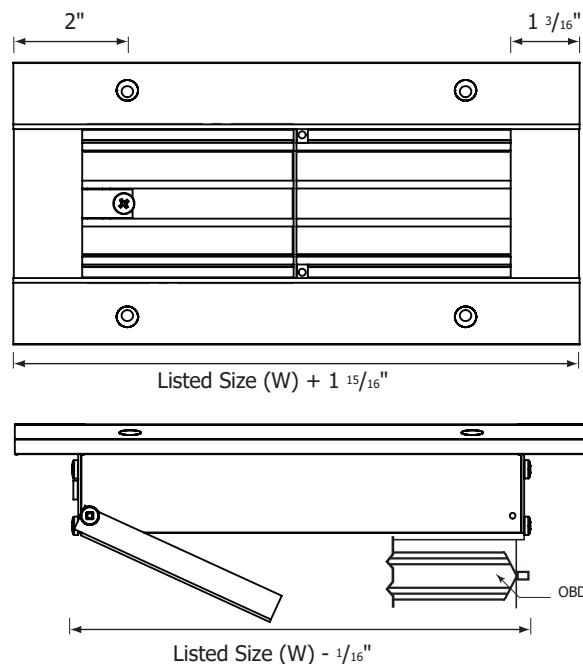
Horizontal Face Blades

- GDA10-H** Aluminum Fins
- GDA17-H** Steel Opposed Blade Damper
- GDA18-H** Aluminum Fins with Air Scoop

Vertical Face Blades

- GDA10-V** Aluminum Fins
- GDA17-V** Steel Opposed Blade Damper
- GDA18-V** Aluminum Fins with Air Scoop

Nice feature: Fins follow the curve on the face of the grille.



Options	
<input type="checkbox"/> -GK	(1/2" x 1/2" thick) Flange Gasket (included over 20" D)

Duct D	H= List Height					
	3"	4"	6"	8"	10"	12"
6"						
8"						
10"						
12"						
14"						
16"						
18"						
20"						
Over 20"						

Finish		
<input type="checkbox"/> /W White (default)	<input type="checkbox"/> /M Mill Finish	<input type="checkbox"/> Custom (please specify)

Schedule type: _____

Job: _____

Architect: _____

Engineer: _____

Contractor: _____