

Double Deflection Spiral Duct Grille Adjustable Air Pattern

Material: Aluminum construction.
 Adjustable blades.
Finish: Powder paint coating - white.
Mounting: Screw holes mounting.
Spacing: 2/3" Blade Spacing


GDA28

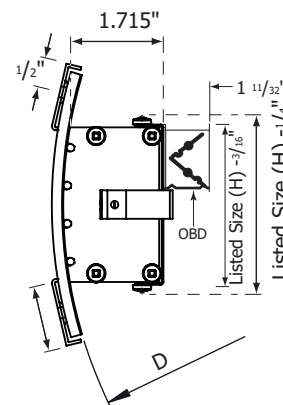
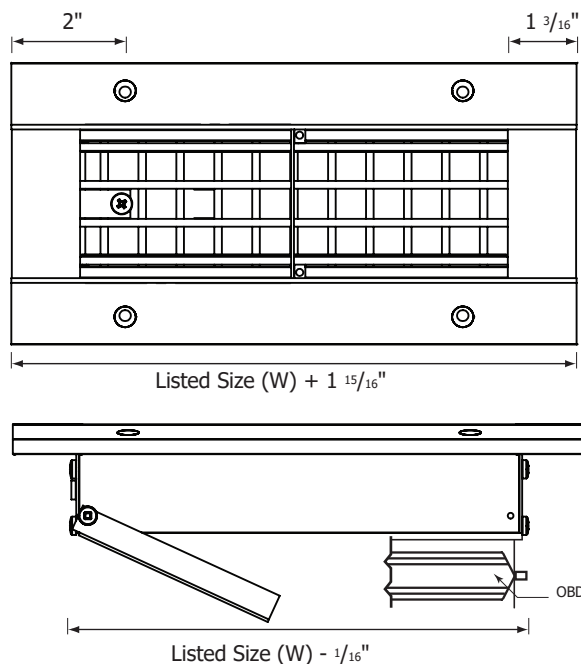
Horizontal Face Blades

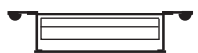
- GDA20-H** Aluminum Fins
- GDA27-H** Steel Opposed Blade Damper
- GDA28-H** Aluminum Fins with Air Scoop

Vertical Face Blades

- GDA20-V** Aluminum Fins
- GDA27-V** Steel Opposed Blade Damper
- GDA28-V** Aluminum Fins with Air Scoop

Nice feature: Fins follow the curve on the face of the grille.



Options	
<input type="checkbox"/> -GK	(1/2" x 1/2" thick)
 Flange Gasket (included over 20" D)	

Duct D	H= List Height					
	3"	4"	6"	8"	10"	12"
6"						
8"						
10"						
12"						
14"						
16"						
18"						
20"						
Over 20"						

Finish		
<input type="checkbox"/> /W White <small>(default)</small>	<input type="checkbox"/> /M Mill Finish	<input type="checkbox"/> Custom <small>(please specify)</small>

Schedule type: _____
 Job: _____
 Architect: _____
 Engineer: _____
 Contractor: _____