

### Double Deflection Spiral Duct Steel Grille Adjustable Air Pattern

- Material:** Steel fins in extruded aluminum frame.  
Adjustable blades.
- Finish:** Powder paint coating - white.
- Mounting:** Screw holes mounting.
- Spacing:** 2/3" Blade Spacing



**GDS28**

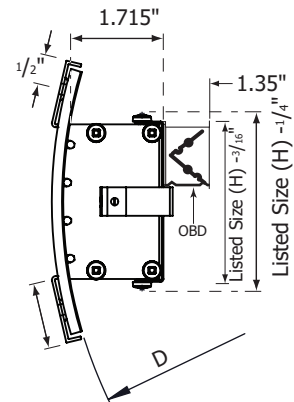
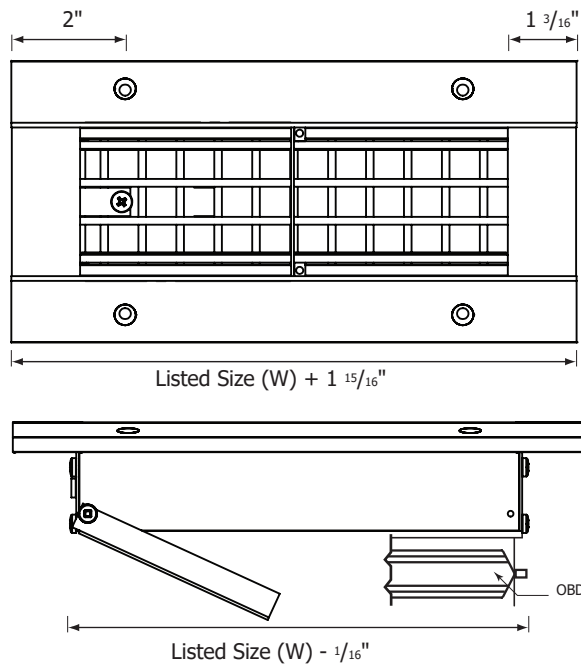
#### Horizontal Face Blades

- GDS20-H** Steel Fins
- GDS27-H** Steel Opposed Blade Damper
- GDS28-H** Steel Fins with Air Scoop

#### Vertical Face Blades

- GDS20-V** Steel Fins
- GDS27-V** Steel Opposed Blade Damper
- GDS28-V** Steel Fins with Air Scoop

**Nice feature:** Fins follow the curve on the face of the grille.



Options	
<input type="checkbox"/> <b>-GK</b>	(1/2" x 1/2" thick)  Flange Gasket (included over 20" D)



Duct D	H= List Height					
	3"	4"	6"	8"	10"	12"
6"						
8"						
10"						
12"						
14"						
16"						
18"						
20"						
Over 20"						

Finish		
<input type="checkbox"/> /W White <small>(default)</small>	<input type="checkbox"/> /M Mill Finish	<input type="checkbox"/> Custom <small>(please specify)</small>

Schedule type: \_\_\_\_\_

Job: \_\_\_\_\_

Architect: \_\_\_\_\_

Engineer: \_\_\_\_\_

Contractor: \_\_\_\_\_