

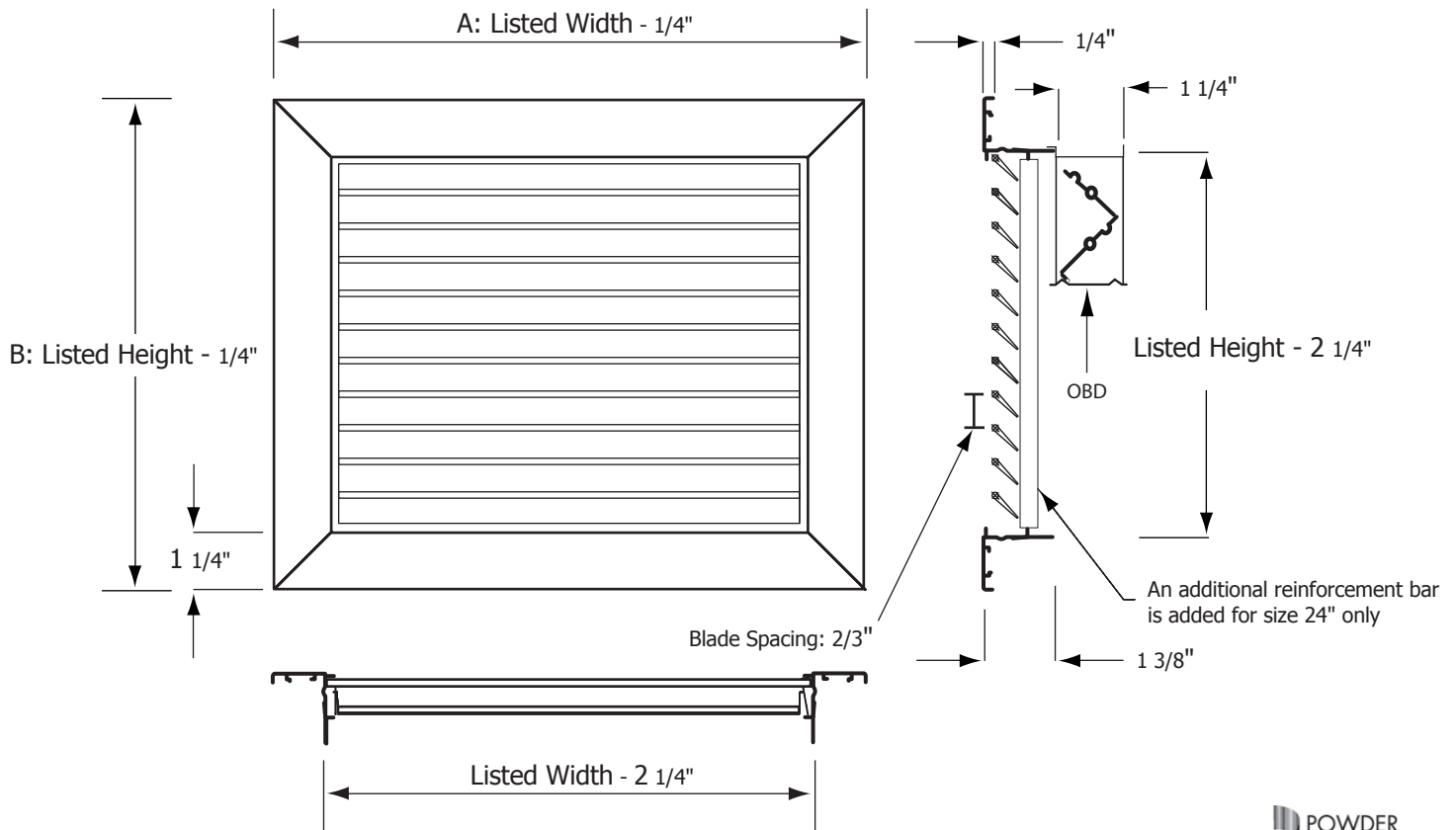
SUBMITTAL SHEET



N° GRT/GRT7

Ceiling Return Grille/Diffuser

- Material:** Aluminum construction.
Fixed blades.
- Finish:** Powder paint white finish.
- Mounting:** For T-bar lay-in ceiling grids.



GRT without OBD (Default)

GRT7 with OBD

Finish		
<input type="checkbox"/> White	<input type="checkbox"/> Mill	<input type="checkbox"/> Custom <small>(please specify)</small>

✓	Model #	Face Dim. A x B	Neck Size.
	GRT/7 1212	11 3/4" x 11 3/4"	10" x 10"
	GRT/7 2412	23 3/4" x 11 3/4"	22" x 10"
	GRT/7 2424	23 3/4" x 23 3/4"	22" x 22"
	GRT/7 4812	47 3/4" x 11 3/4"	46" x 10"
	GRT/7 4824	47 3/4" x 23 3/4"	46" x 22"

Job:	_____
Architect:	_____
Engineer:	_____
Contractor:	_____