

# SUBMITTAL SHEET



N° LRIF

## Lanced Face Filter Return with Molded Fiberglass Back Panel Hinged face

**Material:** Molded fiberglass back with aluminum foil vapor barrier scored for 6" to 14" D. in an extruded aluminum fixed frame. Steel lanced face with 1/2" spaced fins set at 40° swings in and out of fixed frame, for access to 20"x20" filter, by others.

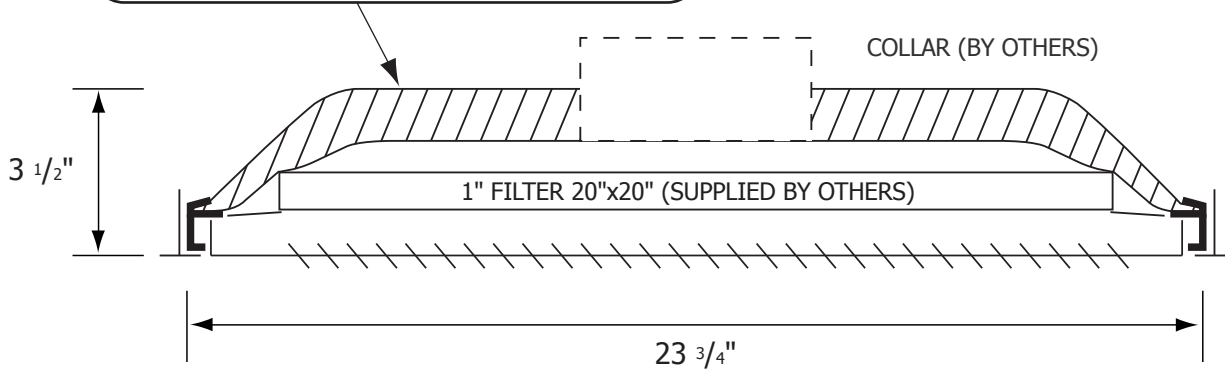
**Finish:** Powder paint coating - white.

**Mounting:** T-bar Lay-in ceiling.



**LRIF**

Fiberglass back complies with A.S.T.M. E84 flame and smoke test. Scored for collar sizes up to 14" D.  
 R4                       R6



Job:	_____
Architect:	_____
Engineer:	_____
Contractor:	_____