

SUBMITTAL SHEET



N° LRMF

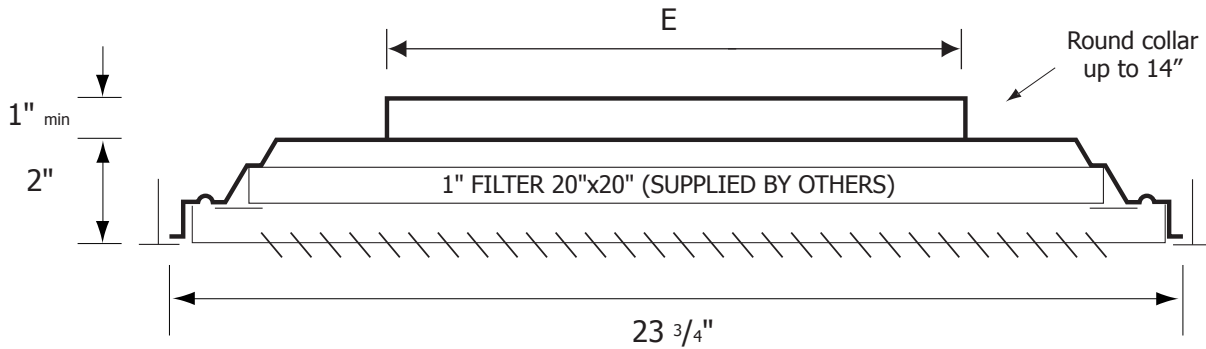
Lanced Face Filter Return with Steel Back Panel, Hinged Face

Material: Stamped heavy gauge steel backpanel with reinforcing corners. Steel lanced face with 1/2" spaced fins at 40° swings in and out of fixed frame, for access to 20"x20" filter, by others.

Finish: Powder paint coating - white.
Mounting: T-bar Lay-in ceiling.



LRMF



✓	Model #	Duct Size	E	Face Dim
	LRMF 2406	6	5 7/8"	23 3/4" x 23 3/4"
	LRMF 2408	8	7 7/8"	23 3/4" x 23 3/4"
	LRMF 2410	10	9 7/8"	23 3/4" x 23 3/4"
	LRMF 2412	12	11 7/8"	23 3/4" x 23 3/4"
	LRMF 2414	14	13 7/8"	23 3/4" x 23 3/4"

Job: _____

Architect: _____

Engineer: _____

Contractor: _____