

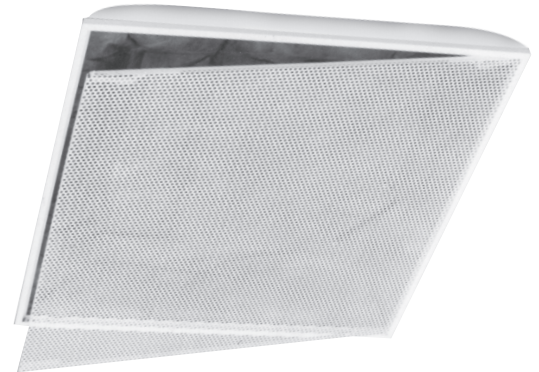
SUBMITTAL SHEET



N° PRIF

Perforated Face Filter Return with Molded Fiberglass Back Panel Hinged face

- Material:** Molded fiberglass back with aluminum foil vapor barrier scored for 6" to 14" D. in an extruded aluminum fixed frame. Steel perforated face with 3/16" diam. holes on 1/4" staggered centers, affords 53% free area and swings in and out of fixed frame.
- Finish:** Powder paint coating - white.
- Mounting:** T-bar Lay-in ceiling.

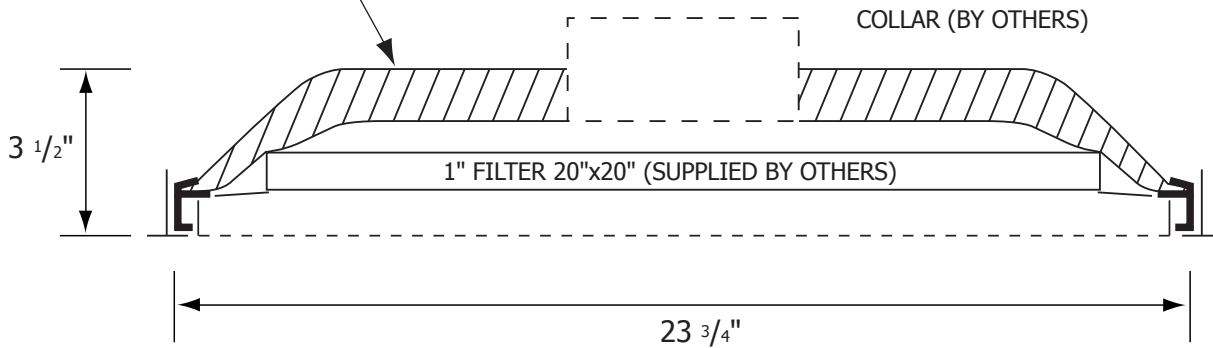


PRIF

Fiberglass back complies with A.S.T.M. E84 flame and smoke test. Scored for collar sizes up to 14" D.

R4

R6



Job: _____

Architect: _____

Engineer: _____

Contractor: _____