

SUBMITTAL SHEET

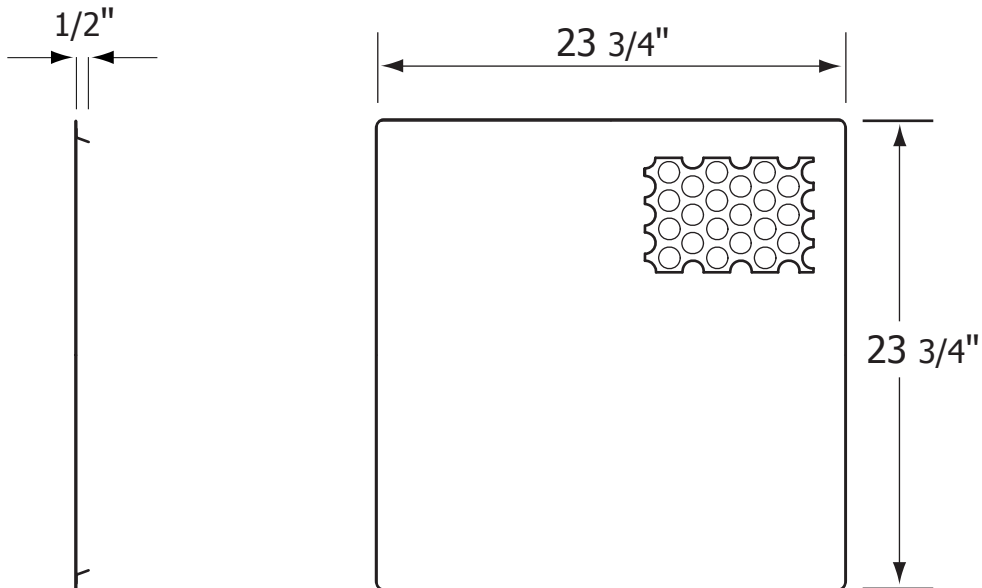


N° PRN

Rev. 1

Ceiling Return Air Diffuser

- Material:** Metal face construction
Full face perforated panel with 3/16" holes
on 1/4" staggered and 51% open area.
- Finish:** Bake white paint finish.
- Mounting:** Lay-in T-bar ceiling.



Finish	
<input type="checkbox"/> White	<input type="checkbox"/> Custom <small>(please specify)</small>



Job:	_____
Architect:	_____
Engineer:	_____
Contractor:	_____