

SUBMITTAL SHEET



N° REAL/REAL7

REAL SERIES - High-End Residential Floor Grilles

Material: Aluminum

Finish: Various finishes available - See Finish Chart
Anodized finish is standard

Air Pattern: 5 way pattern (-30°, -15°, 0°, 15°, 30°)

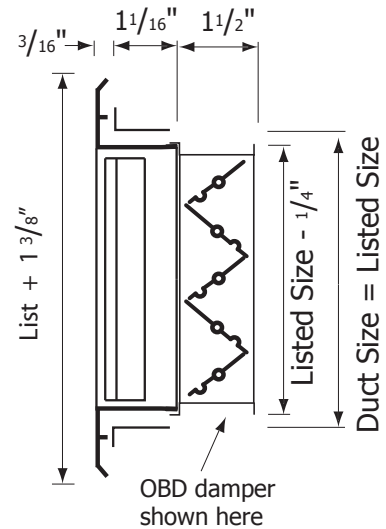
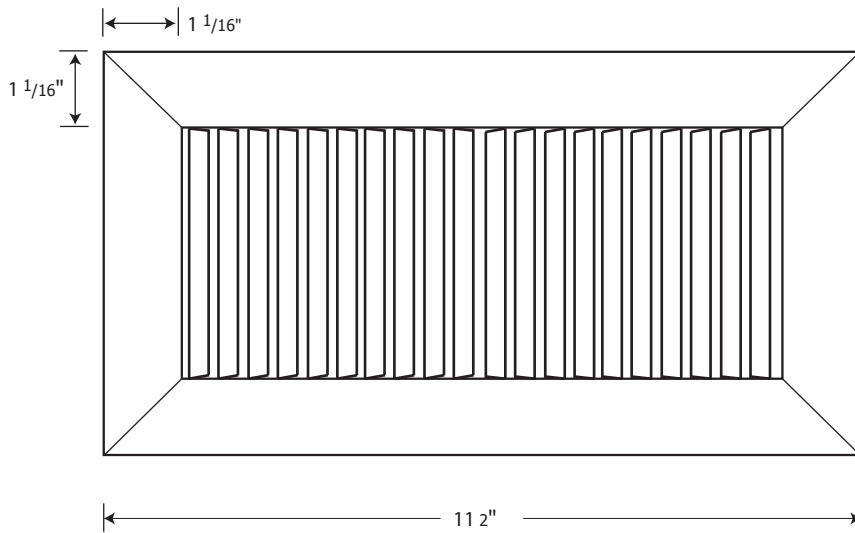
REAL Residential Floor Bar Grille

REAL7 Residential Floor Bar Register with opposed blade damper

Model #	Neck Size "
REAL 0310	3 x 10
REAL 0408	4 x 8
REAL 0410	4 x 10
REAL 0412	4 x 12
REAL 0414	4 x 14
REAL 0612	6 x 12
REAL 0614	6 x 14

Model #	Neck Size "
REAL7 0310	3 x 10
REAL7 0408	4 x 8
REAL7 0410	4 x 10
REAL7 0412	4 x 12
REAL7 0414	4 x 14
REAL7 0612	6 x 12
REAL7 0614	6 x 14

REAL
Residential Floor Grille



Finish		
<input type="checkbox"/> /A Anodized (Standard)	<input type="checkbox"/> /M Mill Finish	<input type="checkbox"/> /Custom Specify here



Job: _____

Architect: _____

Engineer: _____

Contractor: _____

All dimensions in inches