

Plenums for ALF Flow Bar Diffusers and Returns with 1 Slot

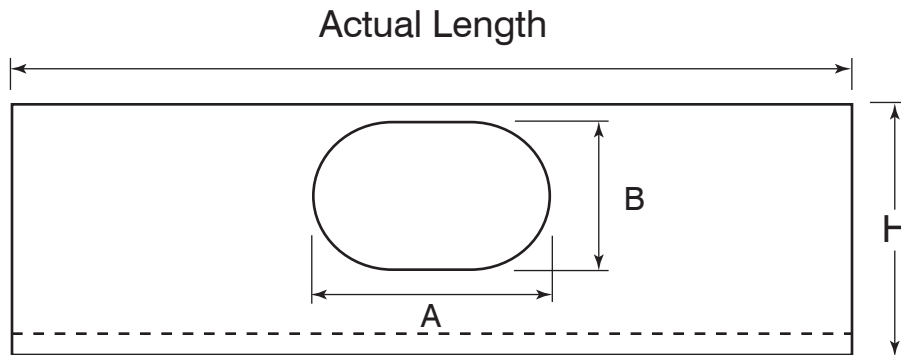
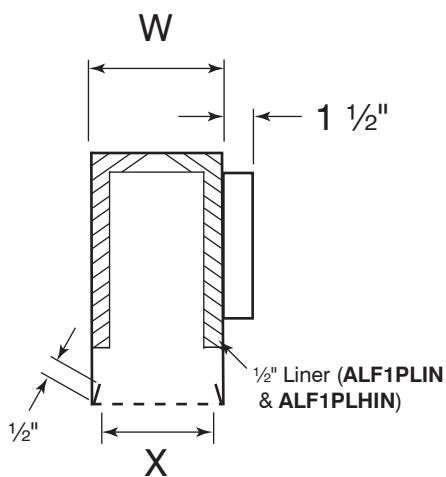
Material: 24 gauge galvanized

ALF1PL
H = 7"

ALF1PLIN - 1/2" Liner Insulation
H = 7"

ALF1PLH
H = 10"

ALF1PLHIN - 1/2" Liner Insulation
H = 10"



✓	Inlet Size	With H=7"		With H=10"	
		A	B	A	B
	-04	4"	4"	-	-
	-05	5"	5"	-	-
	-06	6 1/4"	5 1/4"	6"	6"
	-08	9 3/8"	5 1/4"	8"	8"
	-10	12 1/2"	5 1/4"	11"	8"
	-12*	-	-	14 1/8"	8"
	-14*	-	-	17 1/4"	8"

✓	SLOTS WIDTH	W	X
	1.0	3.4	2.95
	1.5	4.4	3.95
	2.0	5.4	4.95
	2.5	6.4	5.95
	3.0	7.4	6.95

*12" & 14" oval neck available only with 11" high plenums

ALF10/ALF18/ALF17 Mounting

<input type="checkbox"/> -E Surface	Actual Length = Nominal Length
<input type="checkbox"/> -T T-bar Lay-in	Actual Length = Nominal Length - 1/4"
<input type="checkbox"/> -P Plaster-in	Actual Length = Nominal Length

Schedule type: _____

Job: _____

Architect: _____

Engineer: _____

Contractor: _____