

Plenums for ALF Flow Bar Diffusers and Returns with 2 Slots

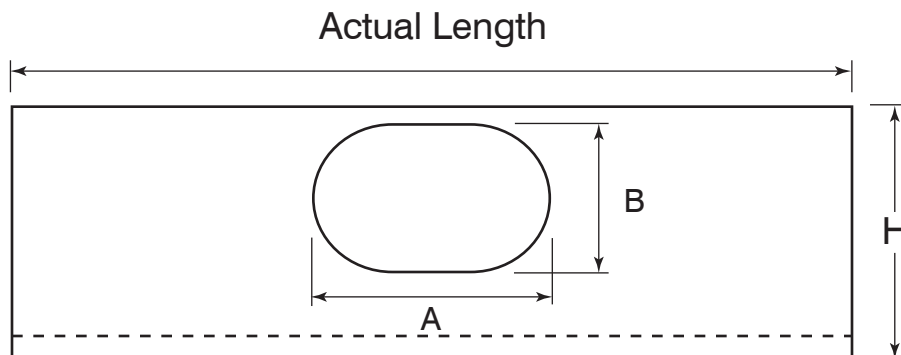
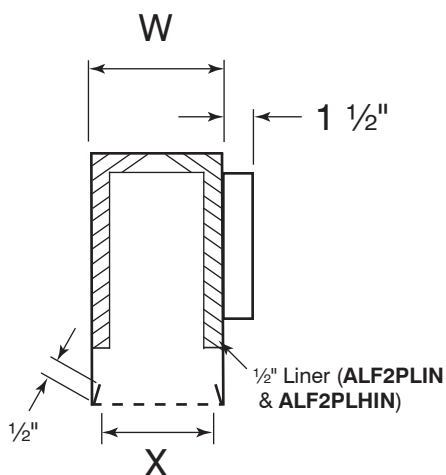
Material: 24 gauge galvanized

ALF2PL
H = 10"

ALF2PLIN - 1/2" Liner Insulation
H = 10"

ALF2PLH
H = 16"

ALF2PLHIN - 1/2" Liner Insulation
H = 16"



✓	Inlet Size	With H=10"		With H=16"	
		A	B	A	B
	-08 8"	8"	8"	8"	8"
	-10 10"	10 15/16"	8"	10"	10"
	-12* 12"	14 3/32"	8"	12"	12"
	-14* 14"	17 1/2"	8"	14"	14"

✓	SLOTS WIDTH	W	X
	1.0	5.7	5.25
	1.5	7.7	7.25
	2.0	9.7	9.25
	2.5	11.7	11.25
	3.0	13.7	13.25

ALF20/ALF28/ALF27 Mounting

<input type="checkbox"/> -E Surface	Actual Length = Nominal Length
<input type="checkbox"/> -T T-bar Lay-in	Actual Length = Nominal Length - 1/4"
<input type="checkbox"/> -P Plaster-in	Actual Length = Nominal Length

Schedule type: _____

Job: _____

Architect: _____

Engineer: _____

Contractor: _____