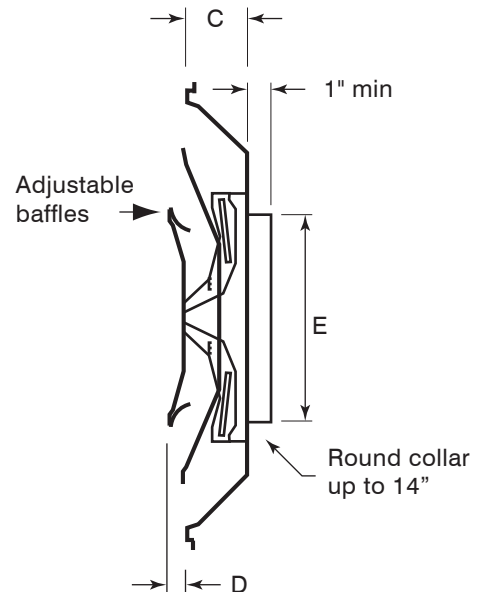
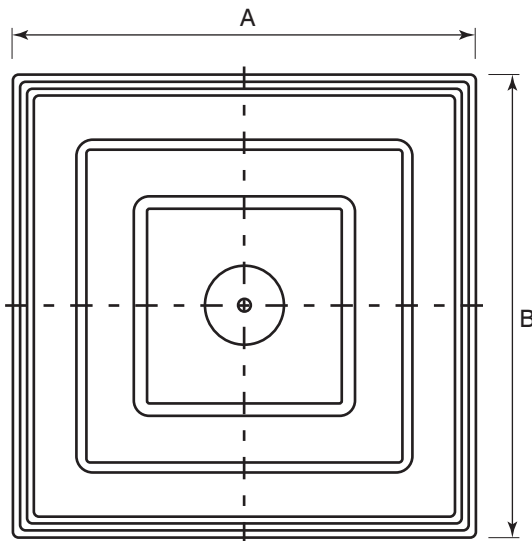


### Ceiling Supply Air Diffuser 3 Cone Adjustable

- Material:** Stamped heavy gauge steel.
- Finish:** Powder paint coating - white.
- Air Pattern:** Adjustable air pattern from horizontal for cooling to vertical for heating, full face.
- Mounting:** Surface or lay-in T-bar ceiling.
- Core Removal:** Unlock hanger brackets by swiveling lever down. Holding cone L at opposite sides, push upwards, then turn clockwise and drop core free from back plenum.



**DA3**



Optional fiberglass insulation on back panel, complies with A.S.T.M. E84 flame and smoke test. (Available only on models with 24" x 24" face)

R4       R6

Round collar up to 14". Standard height is 1", other options available.

2" collar



✓	Model #	Duct Size	Overall Face Dimension "A" x "B"	Depth Of Unit Dimension "C"	Exposed Depth Dimension "D"	Collar Diameter "E"	Finish	
							<input type="checkbox"/> /W White (Default)	<input type="checkbox"/> /C Custom (Please Specify)
	DA3 1206	6	11 3/4" x 11 3/4"	1 3/4"	7/16"	5 7/8"		
	DA3 1208	8	11 3/4" x 11 3/4"	1 3/4"	7/16"	7 7/8"		
	DA3 2406	6	23 3/4" x 23 3/4"	2 7/8"	7/8"	5 7/8"		
	DA3 2408	8	23 3/4" x 23 3/4"	2 7/8"	7/8"	7 7/8"		
	DA3 2410	10	23 3/4" x 23 3/4"	2 7/8"	7/8"	9 7/8"		
	DA3 2412	12	23 3/4" x 23 3/4"	2 7/8"	7/8"	11 7/8"		
	DA3 2414	14	23 3/4" x 23 3/4"	2 7/8"	7/8"	13 7/8"		

Schedule type: \_\_\_\_\_

Job: \_\_\_\_\_

Architect: \_\_\_\_\_

Engineer: \_\_\_\_\_

Contractor: \_\_\_\_\_