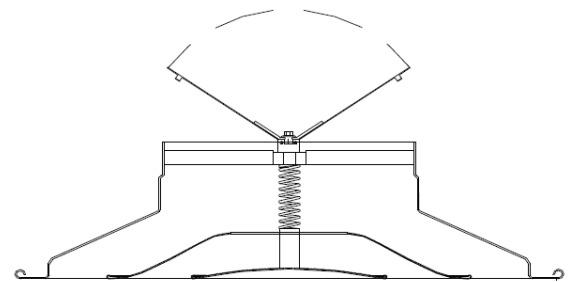
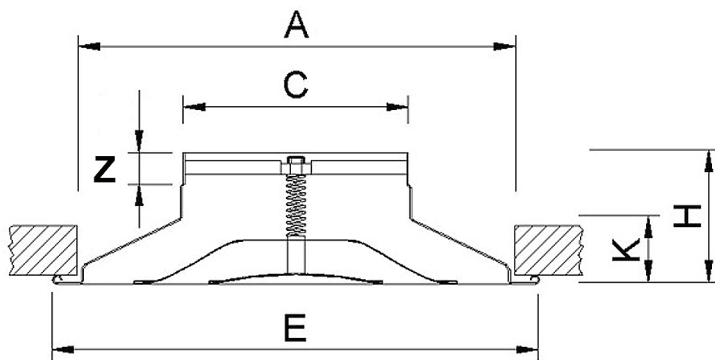


High Ceiling Round Diffuser Spun Aluminum Fully Adjustable

- Material:** Heavy gauge spun aluminum.
Finish: Powder paint coating - white.
Air Pattern: 360° diffusion, vertically adjustable.
Mounting: Surface or open ceiling.
Core Adjustment: Rotate the core clockwise or counterclockwise to adjust for horizontal or vertical flow.


DCG

DCG-R3G

Model	Duct Size	A (in)	C (in)	E (in)	H (in)	K (in)	Z (in)
DCG 06	6"	11 59/64	5 3/4	13 5/16	4 15/16	1 47/64	1
DCG 08	8"	15 5/32	7 3/4	16 47/64	4 17/32	2 9/32	1
DCG 10	10"	18 17/64	9 3/4	19 3/8	4 31/64	2 1/4	1
DCG 12	12"	22 13/64	11 3/4	23 17/64	6 19/32	3 5/32	1
DCG 14	14"	24 13/16	13 29/32	26 1/16	5 33/64	3 17/64	1
DCG 16	16"	24 13/16	15 43/64	26 1/16	5 5/32	2 59/64	1
DCG 18	18"	31 7/32	17 19/32	32 3/4	6 13/16	4 11/64	1
DCG 20	20"	31 7/32	19 9/16	32 3/4	6 27/64	3 13/16	1

Model	Duct Size	A (in)	C (in)	E (in)	H (in)	K (in)	Z (in)
DCG-R3G 08	8"	15 5/32	7 3/4	16 47/64	4 17/32	2 9/32	1
DCG-R3G 10	10"	18 17/64	9 3/4	19 3/8	4 31/64	2 1/4	1
DCG-R3G 14	14"	24 13/16	13 29/32	26 1/16	5 33/64	3 17/64	1
DCG-R3G 16	16"	24 13/16	15 43/64	26 1/16	5 5/32	2 59/64	1
DCG-R3G 18	18"	31 7/32	17 19/32	32 3/4	6 13/16	4 11/64	1
DCG-R3G 20	20"	31 7/32	19 9/16	32 3/4	6 27/64	3 13/16	1

DCG 06 and **DCG 12** can't be supplied with **R3G** but are compatible with **N4** opposed blade dampers and **N5** sliding blade dampers. Dimensions available with **R3G** are **not** compatible with **N4** and **N5** dampers.



Finish	
<input type="checkbox"/> /W White (default)	<input type="checkbox"/> Custom (Please Specify)

Schedule type: _____

Job: _____

Architect: _____

Engineer: _____

Contractor: _____