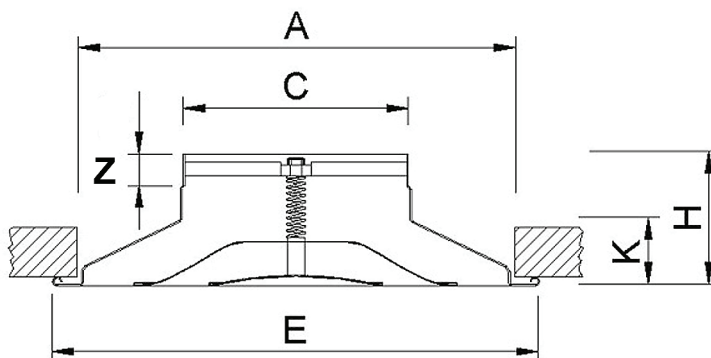


High Ceiling Round Diffuser Spun Aluminum Fully Adjustable

- Material:** Heavy gauge spun aluminum.
Finish: Powder paint coating - white.
Air Pattern: 360° diffusion, vertically adjustable.
Mounting: Surface or open ceiling.
Core Adjustment: Rotate the core clockwise or counterclockwise to adjust for horizontal or vertical flow.


DCG


	Listed Size	Duct Size	A (mm)	C (mm)	E (mm)	H (mm)	K (mm)	Z (mm)
	160	160 mm	303	157	331	101	44	25
	200	200mm	385	197	425	115	58	25
	250	250mm	464	247	492	114	57	25
	315	315mm	564	313	591	137	80	25
	355	355mm	630	353	662	140	83	25
	400	400mm	630	398	662	131	74	25
	450	450mm	793	447	832	173	106	25
	500	500mm	793	497	832	163	97	25

All dimensions in millimeters



Finish	
<input type="checkbox"/> /W White (default)	<input type="checkbox"/> Custom (Please Specify) _____

Schedule type: _____

Job: _____

Architect: _____

Engineer: _____

Contractor: _____