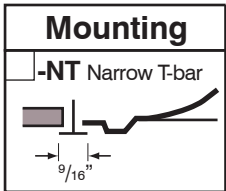
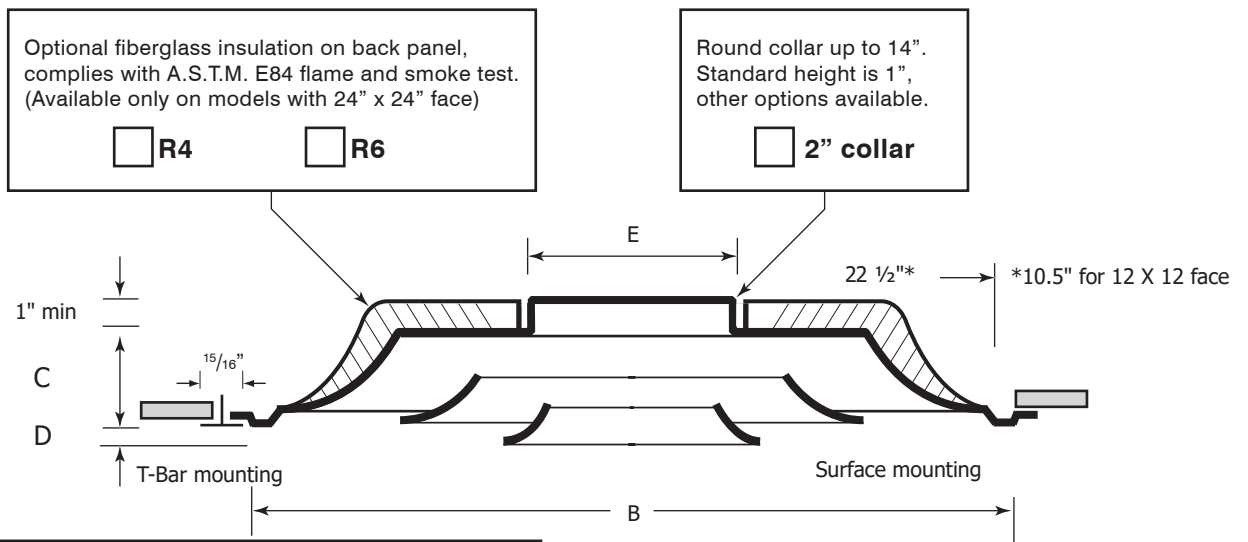


Ceiling Square Diffuser - 3 Cone Fixed air pattern

- Material:** Stamped heavy gauge Steel.
- Finish:** Powder paint coating - white.
- Air Pattern:** Fixed horizontal 360° diffusion.
- Mounting:** Surface or Lay-in T-bar ceiling.
- Core Removal:** Unlock hanger brackets by swiveling lever down. Holding cone L at opposite sides, push upwards, then turn clockwise and drop core free from back plenum.



DF3



Round Collar Baffles				
W1 1 Way	WC 2 Way Corner	WO 2 Way Opposed	W3 3 Way	W4 4 Way (default)

Panel Option for T-bar lay-in Ceiling		
W	Steel (WxH)	Aluminum (WxH)
	<input type="checkbox"/> -X2412	<input type="checkbox"/> -Y2412
	<input type="checkbox"/> -X2424	<input type="checkbox"/> -Y2424
	<input type="checkbox"/> -X2448	<input type="checkbox"/> -Y2448
	<input type="checkbox"/> -X4824	<input type="checkbox"/> -Y4824
	<input type="checkbox"/> -X2020	<input type="checkbox"/> -Y2020

No fastening options available

✓	Model #	Duct Size	E	Face Dim B x B	C	D
	DF3 1206	6	5 7/8"	11 3/4" x 11 3/4"	1 3/4"	7/16"
	DF3 1208	8	7 7/8"	11 3/4" x 11 3/4"	1 3/4"	7/16"
	DF3 2406	6	5 7/8"	23 3/4" x 23 3/4"	2 7/8"	7/8"
	DF3 2408	8	7 7/8"	23 3/4" x 23 3/4"	2 7/8"	7/8"
	DF3 2410	10	9 7/8"	23 3/4" x 23 3/4"	2 7/8"	7/8"
	DF3 2412	12	11 7/8"	23 3/4" x 23 3/4"	2 7/8"	7/8"
	DF3 2414	14	13 7/8"	23 3/4" x 23 3/4"	2 7/8"	7/8"

Finish	
<input type="checkbox"/> /W	<input type="checkbox"/> /C Custom (Please Specify)
White (Default)	



Equalizing Grid (Option)	Damper (Option)		Plaster Frame (Option)
Refer to NEG 	Refer to N4 	Refer to N5 	Refer to PF
	Opposed Blade	Sliding Blade	

Schedule type: _____

Job: _____

Architect: _____

Engineer: _____

Contractor: _____