

Ceiling Square Diffuser - 3 Cone Fixed air pattern

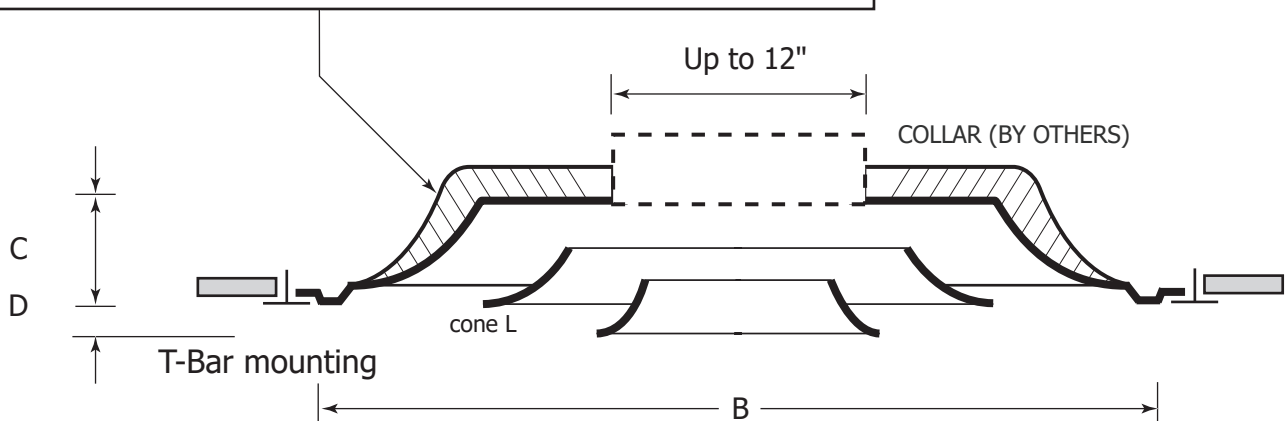
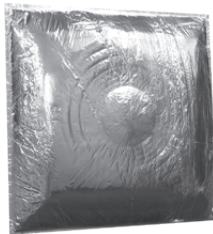
- Material:** Stamped heavy gauge steel.
- Finish:** Powder paint coating - white.
- Air Pattern:** Fixed horizontal 360° diffusion.
- Mounting:** Lay-in T-bar ceiling.
- Core Removal:** Unlock hanger brackets by swiveling lever down. Holding cone L at opposite sides, push upwards, then turn clockwise and drop core free from back plenum.



DF3I

R6 fiberglass back complies with A.S.T.M. E84 flame and smoke test.

Scored for collar sizes up to 12" D. Contractor to install job-specific collar in field. For size 14", please refer to model DF3-R6 2414.



Model #	Face Dim B x B	C	D
DF3I	23 3/4" x 23 3/4"	2 7/8"	7/8"

Finish	
<input type="checkbox"/> /W White (default)	<input type="checkbox"/> Custom (please specify)



Schedule type: _____

Job: _____

Architect: _____

Engineer: _____

Contractor: _____