

### Ceiling Square Diffuser - 4 Cone Fixed air pattern - 2" High Collar

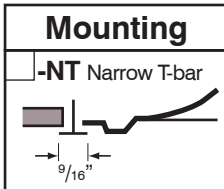
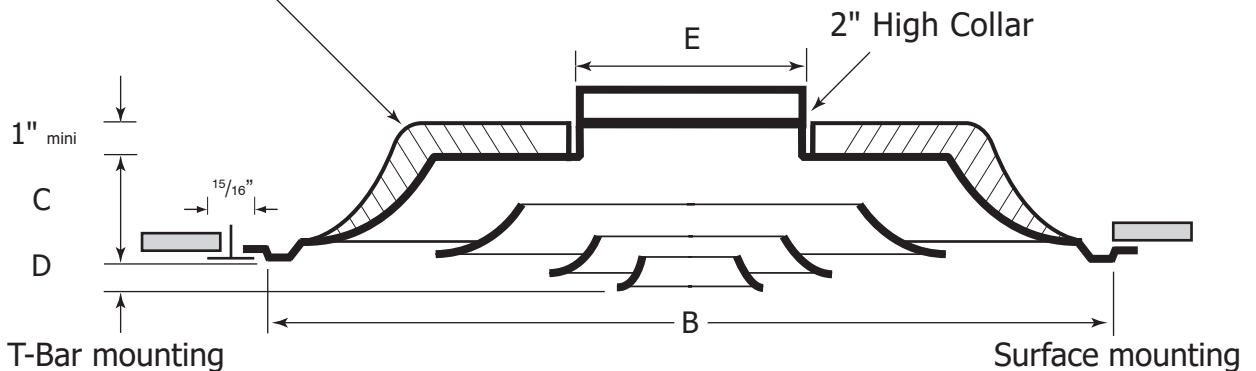
**Material:** Stamped heavy gauge steel.  
**Finish:** Powder paint coating - white.  
**Air Pattern:** Fixed horizontal 360° diffusion.  
**Mounting:** Surface or Lay-in T-bar ceiling.



**DF4D**

Optional fiberglass insulation on back panel, complies with A.S.T.M. E84 flame and smoke test.

R4       R6



Round Collar Baffles				
<input type="checkbox"/> W1 1 Way	<input type="checkbox"/> WC	<input type="checkbox"/> WO	<input type="checkbox"/> W3 3 Way	<input type="checkbox"/> W4 4 Way (default)

Panel Option for T-bar lay-in Ceiling		
Steel (WxH)	Aluminum (WxH)	
<input type="checkbox"/> -X2412	<input type="checkbox"/> -Y2412	
<input type="checkbox"/> -X2424	<input type="checkbox"/> -Y2424	
<input type="checkbox"/> -X2448	<input type="checkbox"/> -Y2448	
<input type="checkbox"/> -X4824	<input type="checkbox"/> -Y4824	
<input type="checkbox"/> -X2020	<input type="checkbox"/> -Y2020	

No fastening options available

✓	Model #	Duct Size	E	Face Dim B x B	C	D
	DF4D 2406	6	5 7/8"	23 3/4" x 23 3/4"	2 7/8"	7/8"
	DF4D 2408	8	7 7/8"	23 3/4" x 23 3/4"	2 7/8"	7/8"
	DF4D 2410	10	9 7/8"	23 3/4" x 23 3/4"	2 7/8"	7/8"
	DF4D 2412	12	11 7/8"	23 3/4" x 23 3/4"	2 7/8"	7/8"

Finish	
<input type="checkbox"/> /W White (Default)	<input type="checkbox"/> /C Custom (Please Specify)



<b>Equalizing Grid</b> (Option) Refer to NEG 	<b>Damper</b> (Option) Refer to N4      Refer to N5  Opposed Blade      Sliding Blade	<b>Plaster Frame</b> (Option) Refer to PF 
--	---	---

Schedule type: \_\_\_\_\_

Job: \_\_\_\_\_

Architect: \_\_\_\_\_

Engineer: \_\_\_\_\_

Contractor: \_\_\_\_\_