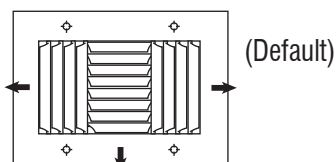
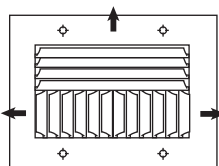


3 Way Adjustable Curved Blade Supply Grille Recessed Blades

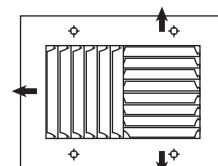
- Material:** Extruded aluminum with mechanically fastened corners.
- Mounting:** Drywall or any surface mounting. Countersunk mounting holes on frame.
- Air Pattern:** 270° Diffusion. Adjustable blades 2/3" spacing.


GCB30


- Standard discharge pattern**
- GCB30-WS**
- GCB37-WS** With OBD



- Alternate discharge pattern (long)**
- GCB30-WL**
- GCB37-WL** With OBD



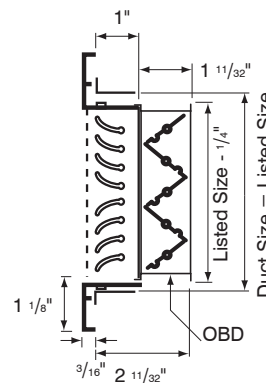
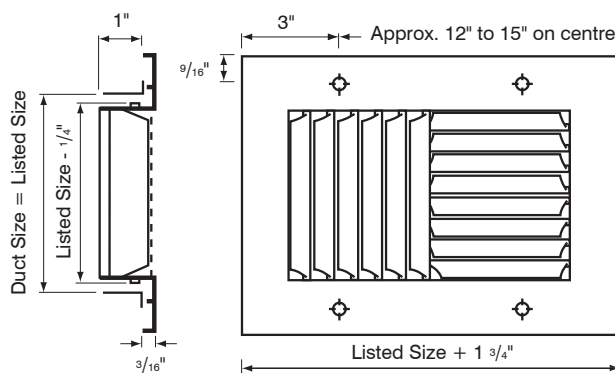
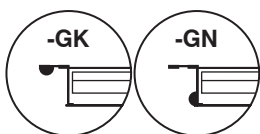
- Alternate discharge pattern**
- GCB30-WA**
- GCB37-WA** With OBD

Blade Deflection Options

- Adjustable Blades** (default) -AB
- Fixed Blades** -FB

Options

- Supplied w/sub frame** -SF
- Debris (Bird) Screen** -DS
- Insect Screen** -IS
- Flange Gasket** -GK
- Neck Gasket** -GN
- One Piece** -U



Finish

<input type="checkbox"/> /W White (default)	<input type="checkbox"/> /B Brushed Aluminium	<input type="checkbox"/> /M Mill Finish	<input type="checkbox"/> /L Brushed and Lacquered	<input type="checkbox"/> Custom (Please Specify)
--	--	--	--	--

Panel Option for T-bar lay-in Ceiling

	Steel (WxH)	Aluminum (WxH)
<input type="checkbox"/>	-X1212	-Y1212
<input type="checkbox"/>	-X1224	-Y1224
<input type="checkbox"/>	-X2412	-Y2412
<input type="checkbox"/>	-X2424	-Y2424
<input type="checkbox"/>	-X2448	-Y2448
<input type="checkbox"/>	-X4824	-Y4824
<input type="checkbox"/>	-X2020	-Y2020

No fastening options available

Fastening Method

<input type="checkbox"/> -1 No Fastening	<input type="checkbox"/> -2 Spring clip	<input type="checkbox"/> -3 Screw holes (Default)
---	--	--

Schedule type: _____

Job: _____

Architect: _____

Engineer: _____

Contractor: _____