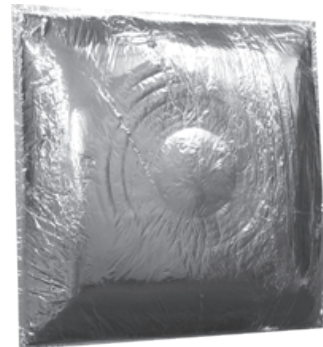


### R6 Molded Fiberglass Backpan

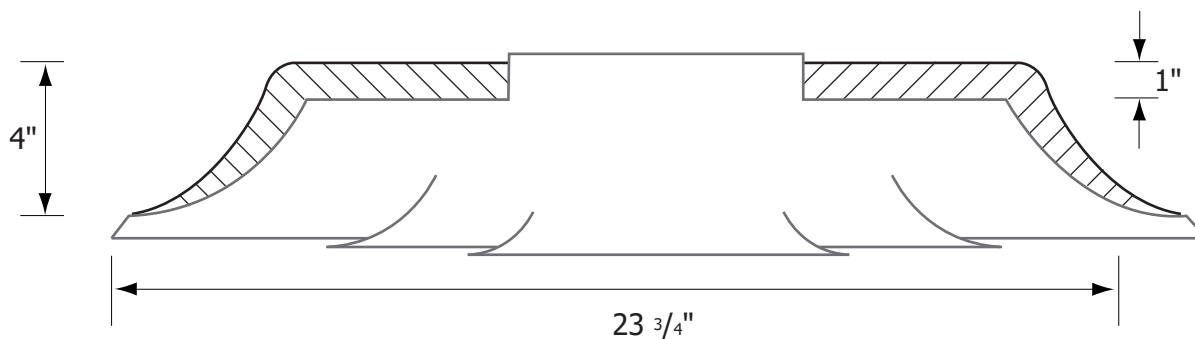
**Material:** Molded fiberglass with a foil layer on the exterior.



**NR6MFG**

R6 fiberglass back complies with A.S.T.M. E84 flame and smoke test.

Scored for collar sizes up to 12" D. Contractor to install job-specific collar in field. For size 14", please refer to model DF3-R6 2414. (Available only on models with 24" x 24" face diffusers).



Schedule type: \_\_\_\_\_

Job: \_\_\_\_\_

Architect: \_\_\_\_\_

Engineer: \_\_\_\_\_

Contractor: \_\_\_\_\_