

Single Deflection Spiral Duct Grille Adjustable Air Pattern

- Material:** Aluminum construction.
Adjustable blades.
- Finish:** Powder paint coating - white.
- Mounting:** Screw holes mounting.
- Spacing:** 2/3" Blade Spacing


GDA10

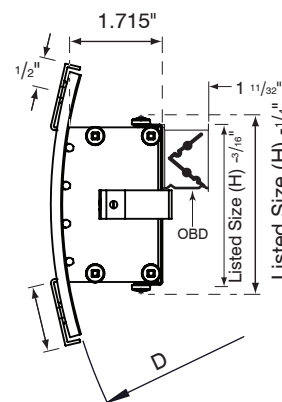
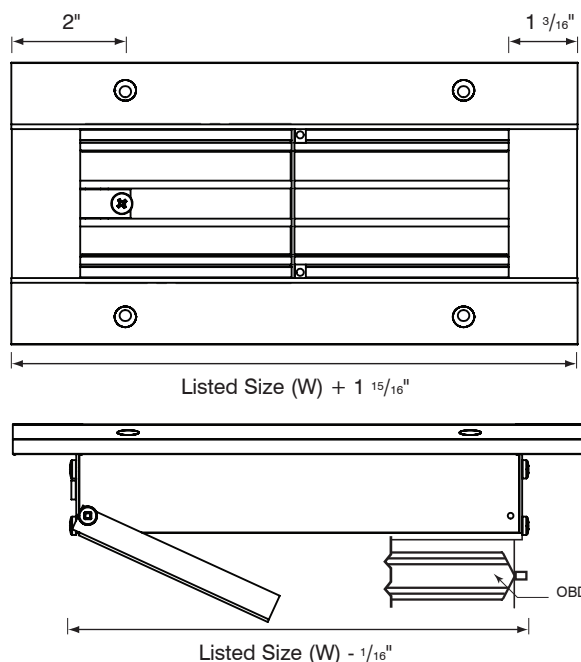
Horizontal Face Blades

- GDA10-H** Aluminum Fins
- GDA17-H** Steel Opposed Blade Damper
- GDA18-H** Aluminum Fins with Air Scoop

Vertical Face Blades

- GDA10-V** Aluminum Fins
- GDA17-V** Steel Opposed Blade Damper
- GDA18-V** Aluminum Fins with Air Scoop

Nice feature: Fins follow the curve on the face of the grille.



Options	
<input type="checkbox"/> -GK	(1/2" x 1/2" thick)
Flange Gasket (included over 20" D)	



Duct D	Duct Cut Out Opening					
	H = 3"	H = 4"	H = 6"	H = 8"	H = 10"	H = 12"
6"	3"					
8"	3"	4 1/4"				
10"	3"	4 1/8"	6 1/4"			
12"	3"	4 1/8"	6 1/4"	8 3/4"		
14"	3"	4"	6 1/4"	8 1/4"	11 1/8"	
16"	3"	4"	6 1/8"	8 3/8"	10 3/4"	13 1/4"
18"	3"	4"	6 1/8"	8 1/4"	10 5/8"	13 1/8"
20"	3"	4"	6 1/8"	8 1/4"	10 1/4"	12 7/8"
22"	3"	4"	6 1/8"	8 1/4"	10 3/8"	12 3/4"
24"	3"	4"	6"	8 1/8"	10 1/4"	12 1/4"
34"	3"	4"	6"	8"	10 1/8"	12 1/4"
44"	3"	4"	6"	8"	10"	12 1/8"
Over 64"	3"	4"	6"	8"	10"	12"

Finish		
<input type="checkbox"/> /W White (Default)	<input type="checkbox"/> /M Mill Finish	<input type="checkbox"/> Custom (Please Specify)

Schedule type: _____

Job: _____

Architect: _____

Engineer: _____

Contractor: _____