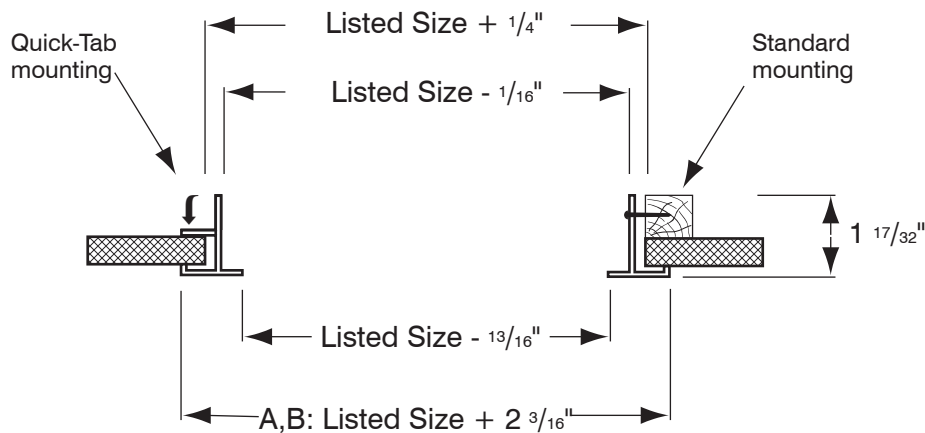
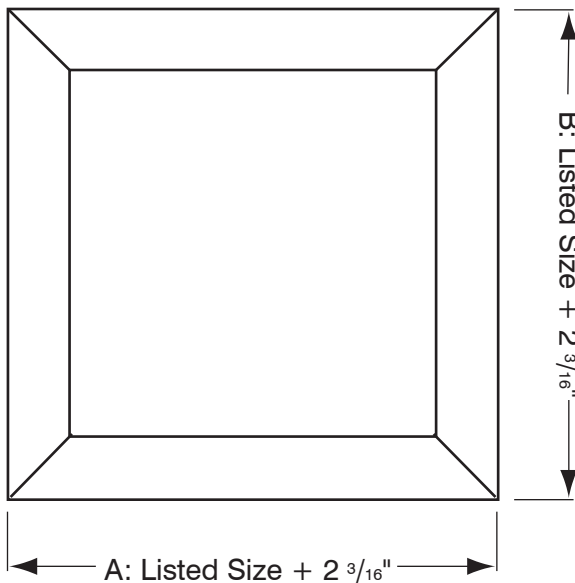
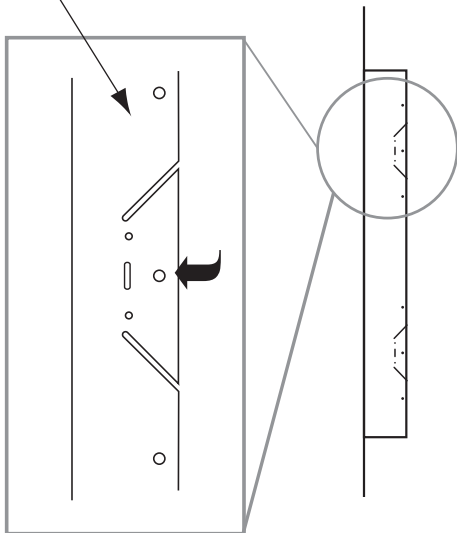


Plaster And Drywall Frame

Material: All aluminium construction.



PRACTICAL FEATURE:
Depress quick-tabs to sandwich drywall



✓	Model #	Face Dim. A x B
	PF 1212	14 1/16" x 14 1/16"
	PF 1224	14 1/16" x 26 3/16"
	PF 2424	26 3/16" x 26 3/16"
	PF 4824	50 1/16" x 26 3/16"

Finish	
<input type="checkbox"/> /w White (default)	<input type="checkbox"/> Custom _____ (please specify)



Schedule type: _____

Job: _____

Architect: _____

Engineer: _____

Contractor: _____