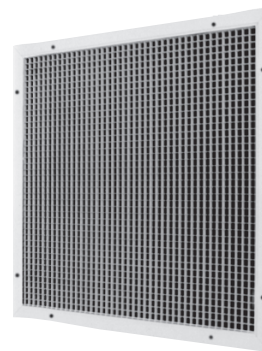


Eggcrate Return Grille for Surface Mount 45° Angled Eggcrate

- Material:** All aluminium construction.
- Mounting:** Drywall or any surface mounting.
Countersunk mounting holes on frame.
- Grid core:** Aluminum 1/2" x 1/2" x 1/2". 45° Angled Eggcrate Core



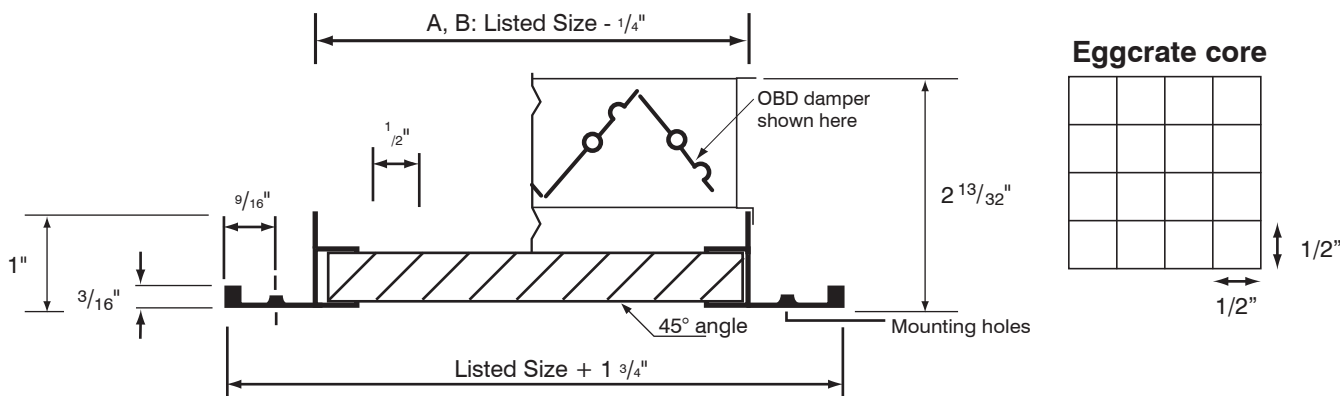
ERE5 / ERE57
(ERE 2424 shown here)

Horizontal Air Flow (Standard)

- ERE50**
- ERE57** with OBD
- 

Vertical Face Bars


- ERE50-V**
- ERE57-V** with OBD
- 

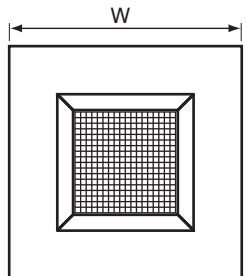


Options		
<input type="checkbox"/> -SF Supplied w/ sub frame	<input type="checkbox"/> -DS Debris (Bird) Screen	<input type="checkbox"/> -IS Insect Screen
<input type="checkbox"/> -GK Flange Gasket		<input type="checkbox"/> -GN Neck Gasket

Size limits	Width A		Height B	
	in	mm	in	mm
Minimum	4	102	4	102
Maximum	48	1219	48	1219

Fastening Method	
<input type="checkbox"/> -1 No Fastening	<input type="checkbox"/> -3 Screw holes (Standard)




Panel Option for T-bar lay-in Ceiling			
	Steel (WxH)	Aluminum (WxH)	
	<input type="checkbox"/> -X1212	<input type="checkbox"/> -Y1212	
	<input type="checkbox"/> -X1224	<input type="checkbox"/> -Y1224	
	<input type="checkbox"/> -X2412	<input type="checkbox"/> -Y2412	
	<input type="checkbox"/> -X2424	<input type="checkbox"/> -Y2424	
	<input type="checkbox"/> -X2448	<input type="checkbox"/> -Y2448	
	<input type="checkbox"/> -X4824	<input type="checkbox"/> -Y4824	
	<input type="checkbox"/> -X2020	<input type="checkbox"/> -Y2020	

No fastening options available

Finish	
<input type="checkbox"/> /W White (default)	<input type="checkbox"/> /C Custom (please specify)

Schedule type: _____

Job: _____

Architect: _____

Engineer: _____

Contractor: _____