

## Square Plaque Diffuser - Architectural Line 2" High Collar, Individual Packaging

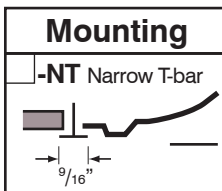
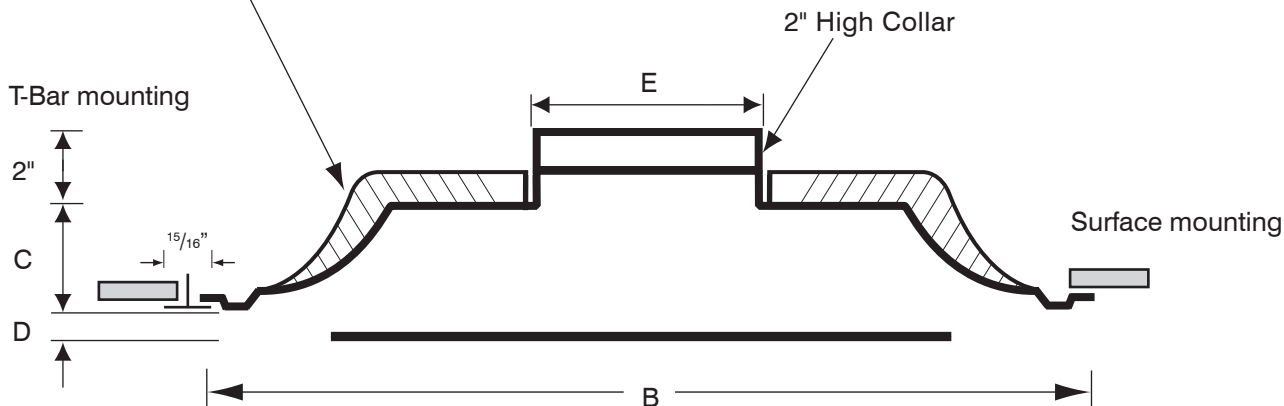


**ISOD**

- Material:** Stamped heavy gauge steel.
- Finish:** Powder paint coating - white.
- Mounting:** Surface or Lay-in T-bar ceiling.
- Air Pattern:** Fixed horizontal 360° diffusion.
- Core Removal:** Unlock hanger brackets by swiveling lever down. Holding core panel at opposite sides, push upwards, then turn clockwise and drop core free from back plenum.

Optional R6 fiberglass insulation on back panel complies with A.S.T.M. E84 flame and smoke test.

R4       R6



**Finish**

/W White (Default)       /C Custom (Please Specify)



✓	Model #	Duct Size	E	Face Dim B x B	C	D
	<b>ISOD 2406</b>	6	5 7/8"	23 3/4" x 23 3/4"	2 7/8"	7/8"
	<b>ISOD 2408</b>	8	7 7/8"	23 3/4" x 23 3/4"	2 7/8"	7/8"
	<b>ISOD 2410</b>	10	9 7/8"	23 3/4" x 23 3/4"	2 7/8"	7/8"
	<b>ISOD 2412</b>	12	11 7/8"	23 3/4" x 23 3/4"	2 7/8"	7/8"

Schedule type: \_\_\_\_\_

Job: \_\_\_\_\_

Architect: \_\_\_\_\_

Engineer: \_\_\_\_\_

Contractor: \_\_\_\_\_