

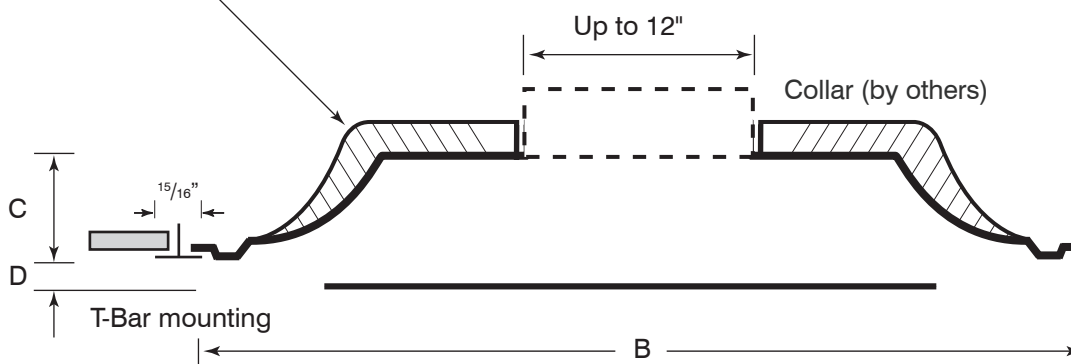
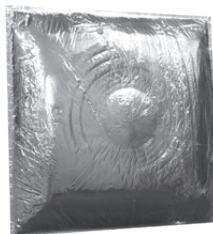
## Square Plaque Diffuser - Architectural Line Insulated, One Size Fits All

- Material:** Stamped heavy gauge steel.  
**Finish:** Powder paint coating - white.  
**Mounting:** Lay-in T-bar ceiling.  
 Fixed horizontal 360° diffusion.  
**Air Pattern:** Unlock hanger brackets by swiveling lever down. Holding core panel at opposite sides, push upwards, then turn clockwise and drop core free from back plenum.  
**Core Removal:**


**ISOI**

R6 fiberglass back complies with A.S.T.M. E84 flame and smoke test.

Scored for collar sizes up to 12" D. Contractor to install job-specific collar in field. For size 14", please refer to model ISO-R6 2414.



Model #	Face Dim B x B	C	D
ISOI	23 3/4" x 23 3/4"	2 7/8"	7/8"

Finish	
<input type="checkbox"/> /W White (Default)	<input type="checkbox"/> /C Custom (Please Specify)



Schedule type: \_\_\_\_\_

Job: \_\_\_\_\_

Architect: \_\_\_\_\_

Engineer: \_\_\_\_\_

Contractor: \_\_\_\_\_