

Fixed 45 degree Deflection Return Grille

Material: Extruded Aluminum Frame

Horizontal Face Bars (Standard)
(Mullion required for w > 18")

- GSA40** Steel
- GSA47** Steel with OBD
- GAA40** Aluminum
- GAA47** Aluminum with OBD



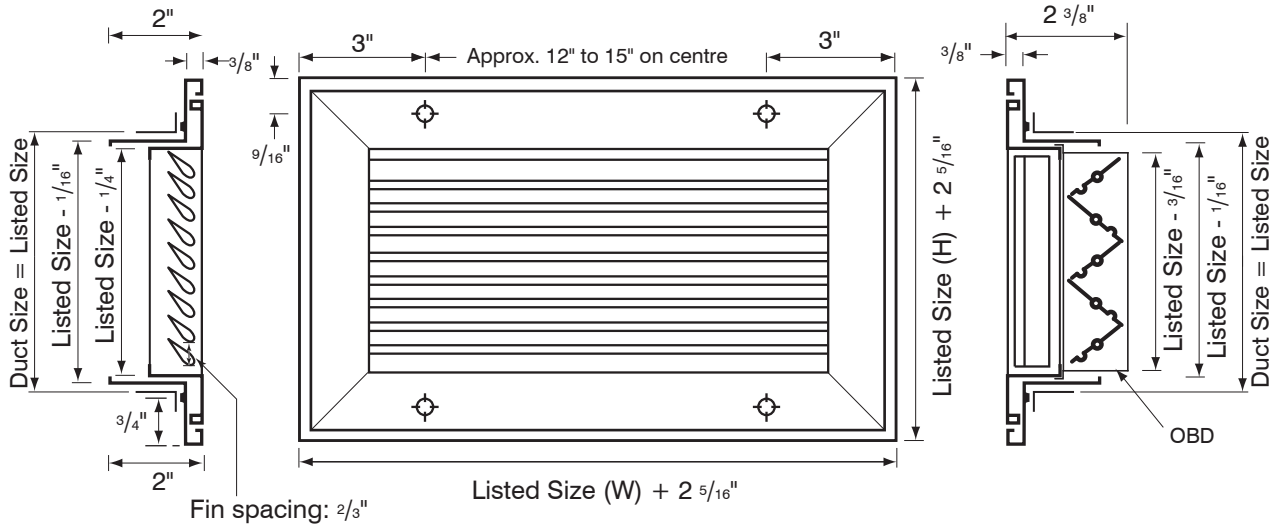
Vertical Face Bars

- GSA40-V** Steel
- GSA47-V** Steel with OBD
- GAA40-V** Aluminum
- GAA47-V** Aluminum with OBD



Options Ext.	
<input type="checkbox"/> -EXT	Reinforced for Outside

With -SF sub-frame and -3 screw-hole mounting



Finish				
<input type="checkbox"/> /W White (default)	<input type="checkbox"/> /B Brushed Aluminium	<input type="checkbox"/> /M Mill Finish	<input type="checkbox"/> /L Brushed and Lacquered	<input type="checkbox"/> /C Custom (Please Specify)

Options		
<input type="checkbox"/> -DS Debris (Bird) Screen	<input type="checkbox"/> -IS Insect Screen	<input type="checkbox"/> -FB Fixed Blades 0 degrees

Schedule type: _____

Job: _____

Architect: _____

Engineer: _____

Contractor: _____