

Linear 1" Slot Diffuser

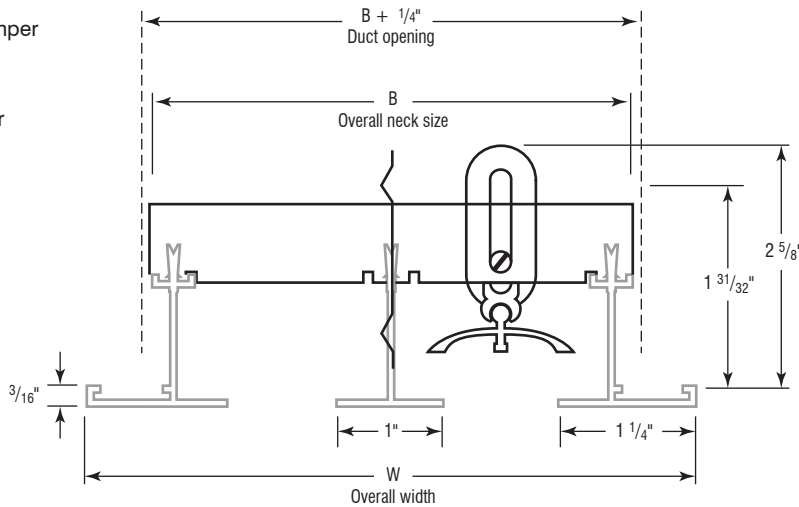
Material: Extruded aluminum construction
Mounting: Surface or Lay-in T-bar ceiling.
 Plaster-in Frame (Tape & Spackle)



ALS10 / ALS17

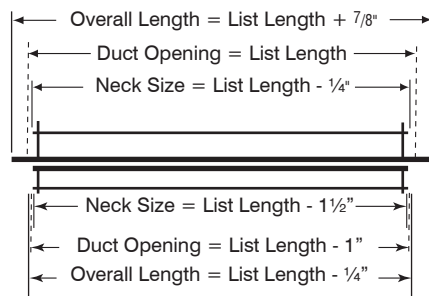
ALS10
without pattern-control damper

ALS17
with pattern-control damper



-GK Frame Gasket

Surface mounting (-E and -P options)



T-Bar mounting (-T option, N/A with -3)

✓ NO. OF SLOTS	For -E and -T mounting type		For -P mounting type	
	B	W	B'	W'
01	2 3/8"	3 1/2"	2 13/16"	3 9/16"
02	4 3/8"	5 1/2"	4 13/16"	5 9/16"
03	6 3/8"	7 1/2"	6 13/16"	7 9/16"
04	8 3/8"	9 1/2"	8 13/16"	9 9/16"
05	10 3/8"	11 1/2"	10 13/16"	11 9/16"
06	12 3/8"	13 1/2"	12 13/16"	13 9/16"
07	14 3/8"	15 1/2"	14 13/16"	15 9/16"
08	16 3/8"	17 1/2"	16 13/16"	17 9/16"

Mounting		
<input type="checkbox"/> -P Plaster-In Frame	<input type="checkbox"/> -E Surface Mounting	<input type="checkbox"/> -T T-Bar mounting

Finish	
<input type="checkbox"/> /W White (Default)	<input type="checkbox"/> /C Custom (Please Specify)



Fastening Method		
<input type="checkbox"/> -1 No Fastening	<input type="checkbox"/> -3 Screw N/A with -T	<input type="checkbox"/> -4 Concealed

Schedule type: _____

Job: _____

Architect: _____

Engineer: _____

Contractor: _____