

ALS – Linear Diffusers ALS (Clip-On Brackets/Control Damper)

ALS linear diffusers may include internal deflectors (control dampers) for airflow adjustment. If not ordered or missing, they can be installed afterward by following the installation procedure outlined in this guide.

Installation Instructions

1. Install Clip-On Brackets

1.1 Insert the clip-on brackets onto all the cross braces (traverses) located on the back of the diffuser.

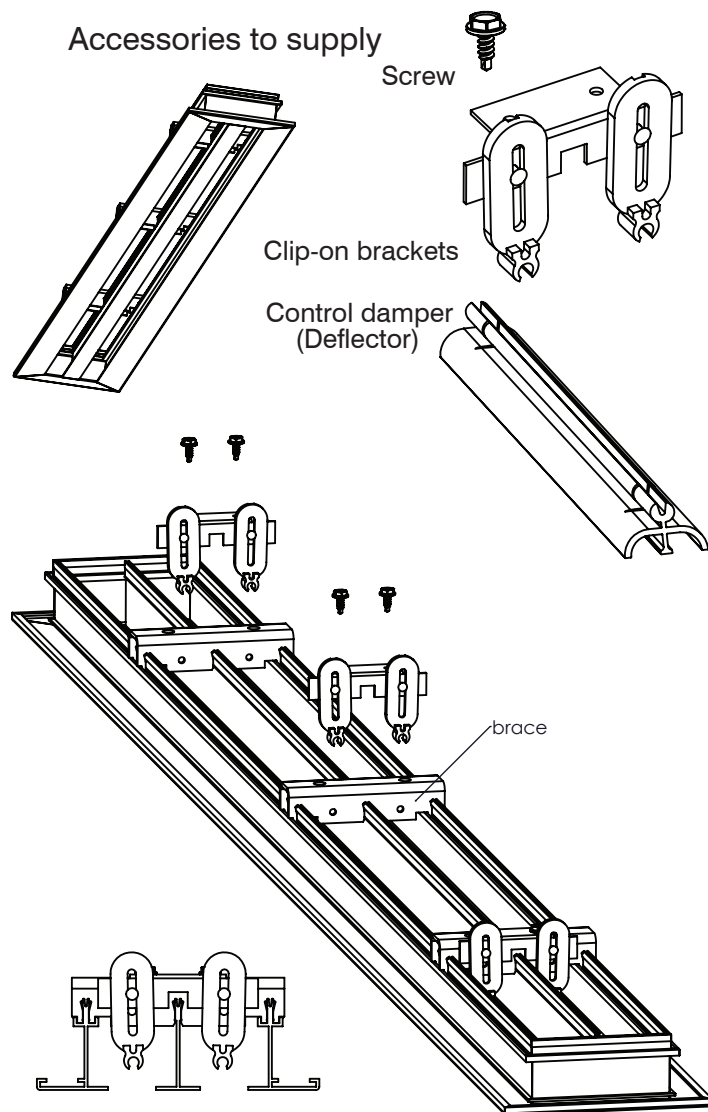
1.2 Secure each bracket using the provided screws.

| Ensure all brackets are properly aligned and firmly attached before proceeding.

2. Install the Deflector

2.1 Insert the deflector (control damper) into the installed clip-on brackets.

2.2 Make sure the deflector is fully seated into the holes of each clip.



Airflow Adjustment

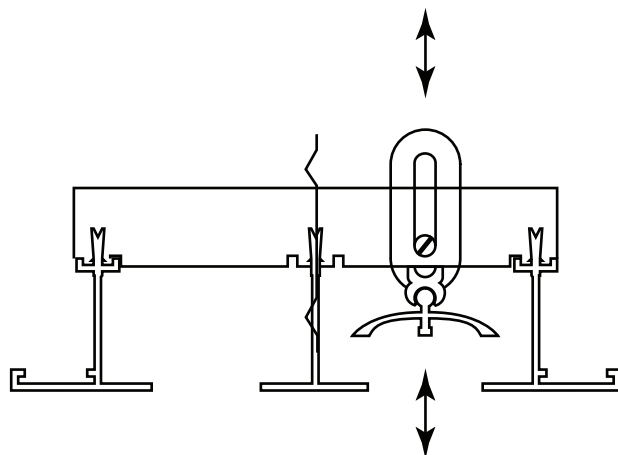
The ALS diffuser allows airflow adjustment directly through the slot using the internal deflector.

To reduce the amount of air passing through the diffuser:

- Insert a flat screwdriver or adjustment tool into the slot.
- Push the deflector upward (into the slot) to increase airflow.
- Pull the deflector downward to reduce airflow.

| Pushing the deflector further into the slot increases airflow.

| Pulling it downward restricts airflow.



Final Checks

- Ensure all brackets and screws are securely fastened.
- Verify that the deflector is properly installed and moves freely.
- Confirm airflow adjustment operates smoothly.