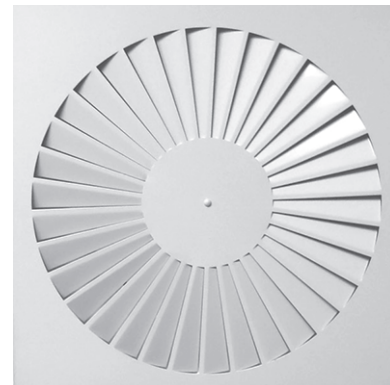


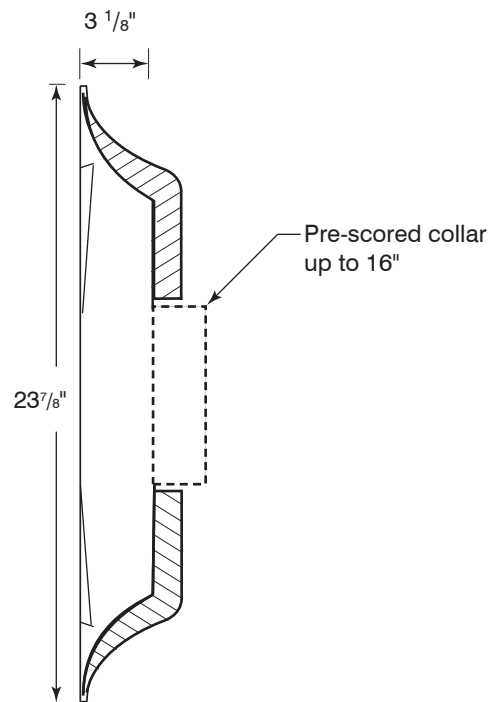
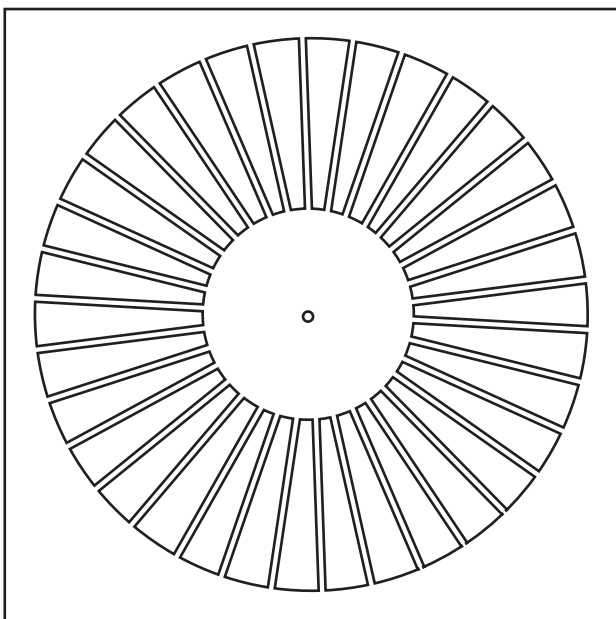
Swirl Face Supply Diffuser Fixed face

Material: Stamped heavy gauge aluminum back panel.
Finish: Powder paint coating - white.
Air Pattern: Fixed 360° spiral pattern.
Mounting: Lay-in T-bar ceiling.
Insulation: R6 Molded Fiberglass.



ADSWI
All Aluminum

Fiberglass back complies with A.S.T.M. E84 flame and smoke test. Scored for collar sizes up to 14" D.



Finish	
<input type="checkbox"/> /W White (Default)	<input type="checkbox"/> /C Custom (Please Specify) _____



Schedule type: _____

Job: _____

Architect: _____

Engineer: _____

Contractor: _____