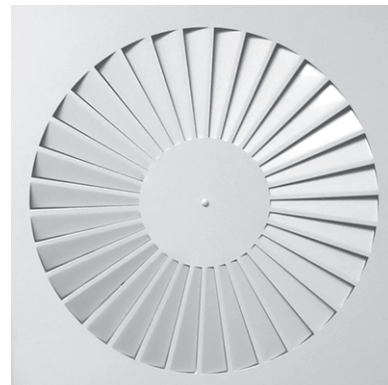
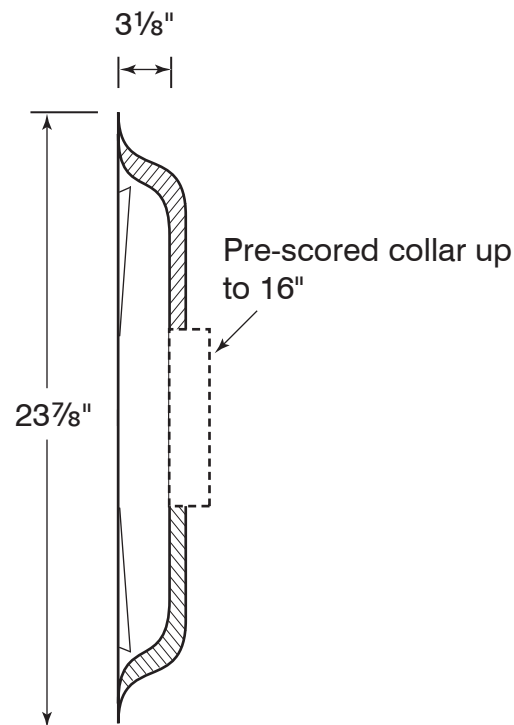
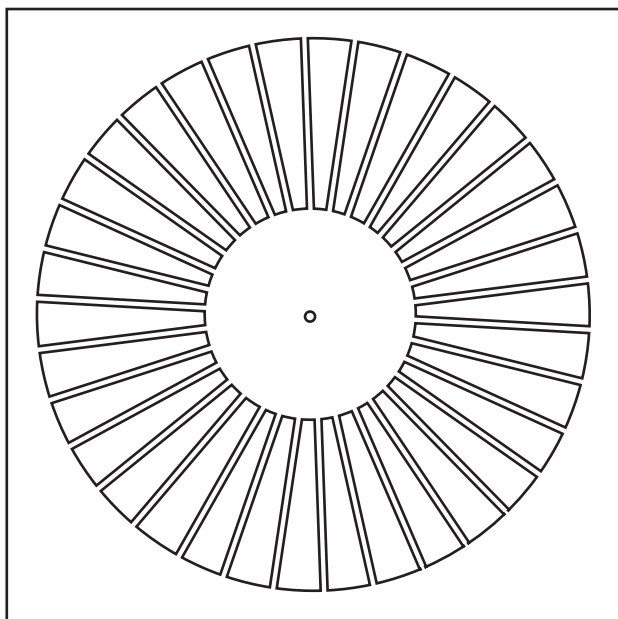


Swirl Face Supply Diffuser Fixed face

Finish: Stamped heavy gauge aluminum back panel.
Material: Powder paint coating - white.
Air Pattern: Fixed 360° spiral pattern.
Mounting: Lay-in T-bar ceiling.
Insulation: R6 Molded Fiberglass.


ADSWI

Fiberglass back complies with
 A.S.T.M. E84 flame and smoke test.
 Scored for collar sizes up to 14" D.



Finish	
<input type="checkbox"/> /W White (Default)	<input type="checkbox"/> /C Custom (Please Specify) _____



Schedule type: _____

Job: _____

Architect: _____

Engineer: _____

Contractor: _____