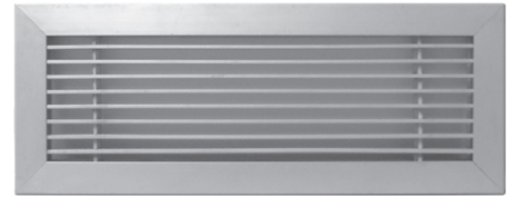
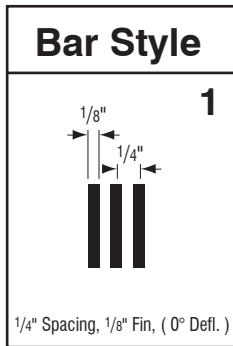
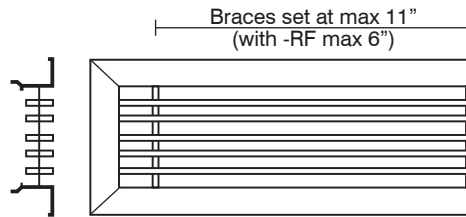
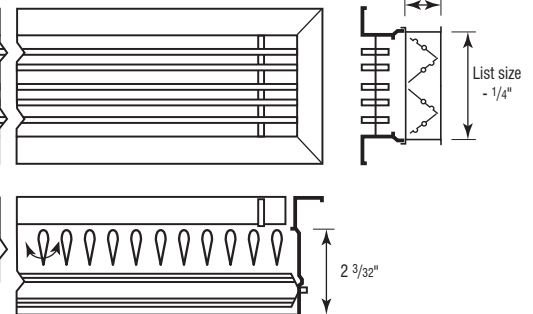


ALB Architectural Linear Bar Grille

Material: Extruded aluminum
Lengths over 72 inches supplied as multiple sections

Opposed Blade Damper (optional): ALB10 = Grille Only
Galvanized steel construction
Key-operated through grille face


ALB10 / ALB17

 ALB10 = Grille Only

 ALB17 = Grille + OBD
(Min Width 3")

 ALB10-L = Grille + Air Equalizing Deflector
(Min Width 4")

 ALB17-L = Grille + OBD + Air Equalizing Deflector
(Min Width 4")

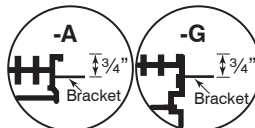
Margin Style			
<input type="checkbox"/> -A Listed + 9/32" 9/16" Listed - 1/4" N/A with -3, -4, -5, -RM, -SB	<input type="checkbox"/> -B Listed + 7/8" 7/8" Listed - 1/4" N/A with -5, -SB, -RM	<input type="checkbox"/> -E Listed + 1 1/4" 1 1/16" Listed - 1/4" N/A with -5, -SB, -RM	<input type="checkbox"/> -F Listed + 1 3/8" 1" Listed - 1/4" ONLY with -1, -3, -5, -RM
<input type="checkbox"/> -G Listed - 1/4" 3/16" Listed - 1/4" ONLY with -1, -5, -RM, -SB	<input type="checkbox"/> -R Listed + 1 1/4" 1 1/16" Listed - 1/4" N/A with -5, -SB, -RM	<input type="checkbox"/> -T Listed - 1/4" 1 1/16" Listed - 1 3/4" N/A with -2, -3, -5, -SB, -RM	<input type="checkbox"/> -P Plaster-In Frame Plaster Gyproc Listed + 1 1/4" Listed - 1/4" ONLY with -1, -5, -RM

Fastening Method	
<input type="checkbox"/> -1 No Fastening N/A with -RM	<input type="checkbox"/> -2 Spring clip N/A with -F, -G, -P, -T
<input type="checkbox"/> -3 Screw N/A with -A, -G, -T	<input type="checkbox"/> -4 Concealed N/A with -A, -F, -G, -P Min Width 4"
<input type="checkbox"/> -5 Core spring clips Only with combined -RM and frames -F, -G, -P	

Finish					
<input type="checkbox"/> /W White (Default)	<input type="checkbox"/> /M Mill Finish	<input type="checkbox"/> /A Anodized	<input type="checkbox"/> /B Brushed Aluminum N/A with -G, -R	<input type="checkbox"/> /L Brushed & Lacquered N/A with -G, -R	<input type="checkbox"/> /C Custom (Please Specify)



- Security Ceiling Wire -CW**
- Mounting Brackets for Sheetrock -SB**
(3/4" from the face) Only w/ -A -G
- Reinforced Floor Application -RF**
(6" max width for all frames, for over 6" use -F up to 20" more)
- Removable Core Application -RM**
(For ceiling add -5, -CW ; for wall add -5)
- Frame Gasket -GK**
- Vertical Bars -V**



Up to 1/8 inch increments without damper.
Dimensions shown contain expansion tolerances based on temperature rise of 40°F above the ambient temperature at which the material is fabricated.

Schedule type: _____
Job: _____
Architect: _____
Engineer: _____
Contractor: _____