

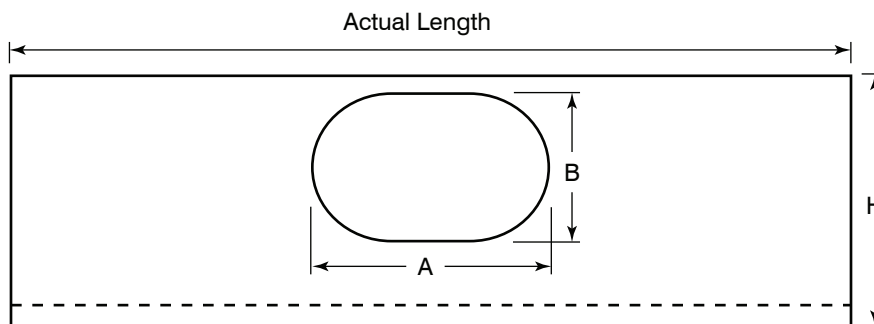
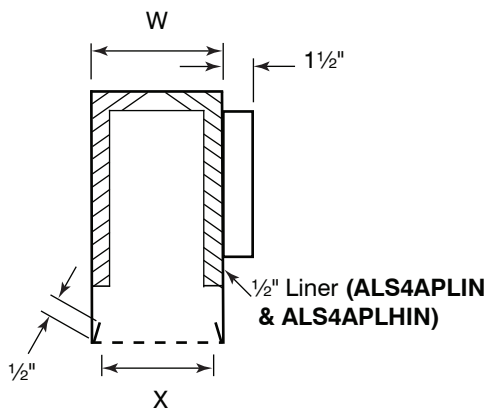
Plenums for ALS40/47/48 - 1 1/4" Slot Diffusers and Returns

Material: 20 gauge aluminum

 ALS4APL
H = 8"

 ALS4APLIN - 1/2" Liner Insulation
H = 8"

 ALS4APLH
H = 11"

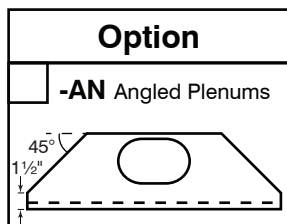
 ALS4APLHIN - 1/2" Liner Insulation
H = 11"


✓		Inlet Size	A	B
	-04	4"	4"	4"
	-05	5"	5"	5"
	-06	6"	6"	6"
	-08	8"	9 3/8"	5 1/4"
	-08*	8"	8"	8"
	-10	10"	12 1/2"	5 1/4"
	-12**	12"	14 1/8"	7 7/8"

*8" round neck available only with 11" high plenums

**12" oval neck available only with 11" high plenums

✓	NO. OF SLOTS	For -E and -T mounting type		For -P mounting type	
		X	W	X'	W'
	01	2 7/8"	3 3/8"	3 3/8"	3 7/8"
	02	5 1/8"	5 1/2"	5 5/8"	5 1/8"
	03	7 3/8"	7 3/4"	7 7/8"	8 3/8"
	04	9 5/8"	10"	10 1/8"	10 5/8"
	05	11 7/8"	12 2/8"	12 3/8"	12 7/8"
	06	14 1/8"	14 1/2"	14 5/8"	14 1/8"
	07	16 3/8"	16 3/4"	16 7/8"	17 3/8"
	08	18 5/8"	19"	19 1/8"	19 5/8"



ALS40/ALS47/ALS48 Mounting	
<input type="checkbox"/> -E Surface	Actual Length = Nominal Length
<input type="checkbox"/> -T T-bar Lay-in	Actual Length = Nominal Length - 1 1/8"
<input type="checkbox"/> -P Plaster-in	Actual Length = Nominal Length

Schedule type: _____

Job: _____

Architect: _____

Engineer: _____

Contractor: _____