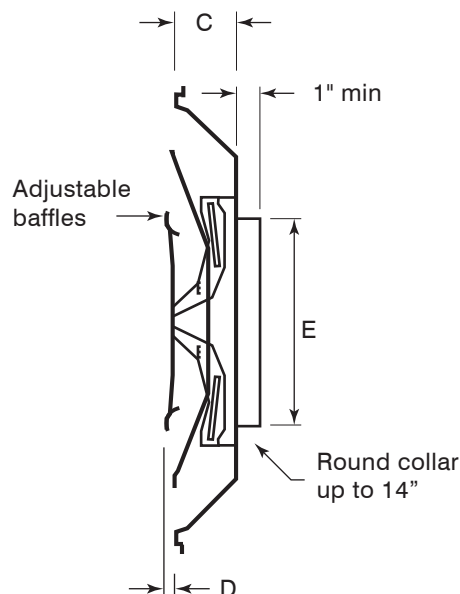
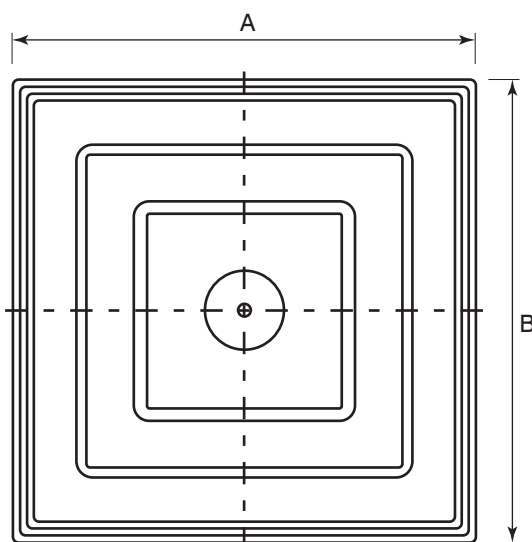


Ceiling Supply Air Diffuser 3 Cone Adjustable

- Material:** Stamped heavy gauge steel.
- Finish:** Powder paint coating - white.
- Air Pattern:** Adjustable air pattern from horizontal for cooling to vertical for heating, full face.
- Safety:** Seismic tabs.
- Mounting:** Surface or lay-in T-bar ceiling.
- Core Removal:** Unlock hanger brackets by swiveling lever down. Holding cone L at opposite sides, push upwards, then turn clockwise and drop core free from back plenum.


DA3


Optional fiberglass insulation on back panel, complies with A.S.T.M. E84 flame and smoke test. (Available only on models with 24" x 24" face)	Round collar up to 14". Standard height is 1", other options available.
<input type="checkbox"/> -R4 <input type="checkbox"/> -R6	<input type="checkbox"/> 2" collar

✓	Model #	Duct Size	Overall Face Dimension "A" x "B"	Depth Of Unit Dimension "C"	Exposed Depth Dimension "D"	Collar Diameter "E"
	DA3 1206	6	11 3/4" x 11 3/4"	1 3/4"	7/16"	5 7/8"
	DA3 1208	8	11 3/4" x 11 3/4"	1 3/4"	7/16"	7 7/8"
	DA3 2406	6	23 3/4" x 23 3/4"	2 7/8"	7/8"	5 7/8"
	DA3 2408	8	23 3/4" x 23 3/4"	2 7/8"	7/8"	7 7/8"
	DA3 2410	10	23 3/4" x 23 3/4"	2 7/8"	7/8"	9 7/8"
	DA3 2412	12	23 3/4" x 23 3/4"	2 7/8"	7/8"	11 7/8"
	DA3 2414	14	23 3/4" x 23 3/4"	2 7/8"	7/8"	13 7/8"

Finish	
<input type="checkbox"/> /W White (Default)	<input type="checkbox"/> /C Custom (Please Specify)



Schedule type: _____

Job: _____

Architect: _____

Engineer: _____

Contractor: _____