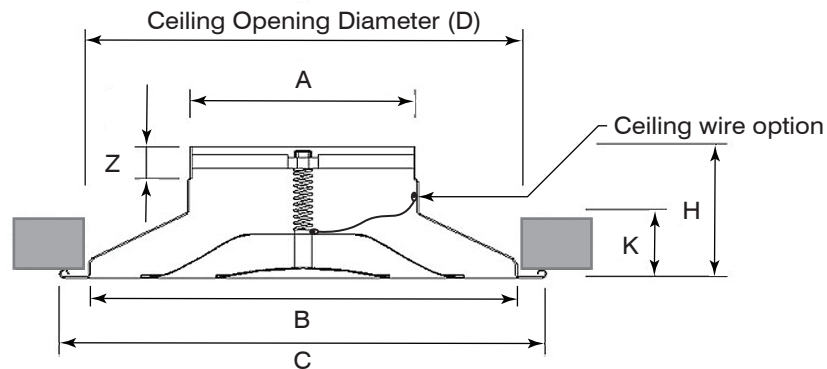


- /!\ DCG discontinued, now DCL -

### High Ceiling Round Diffuser

### Spun Aluminum Fully Adjustable

**Material:** Heavy gauge spun aluminum.  
**Finish:** Powder paint coating - white.  
**Air Pattern:** 360° diffusion, vertically adjustable.  
**Mounting:** Surface or open ceiling.  
**Core Adjustment:** Rotate the core clockwise or counterclockwise to adjust for horizontal or vertical flow.


**DCL**


✓	Model	Duct Size	A (in)	C (in)	B (in)	H (in)	D (in)	Z (in)
	<b>DCL 06</b>	6"	5 11/16"	13 3/16"	11"	4 1/8"	11 5/16"	1"
	<b>DCL 08</b>	8"	7 11/16"	16 11/16"	14 3/16"	4 11/16"	14 5/8"	1"
	<b>DCL 10</b>	10"	9 5/8"	20 3/8"	17 1/2"	5 1/8"	18"	1"
	<b>DCL 12</b>	12"	11 5/8"	25 3/16"	22"	5 11/16"	22 3/8"	1"
	<b>DCL 14</b>	14"	13 5/8"	28 11/16"	25 3/16"	7 5/16"	25 5/8"	1"

Up to 14", pricing available upon request.

<b>Option</b>	
<input type="checkbox"/>	<b>-CW</b> Security Ceiling Wire

Finish	
<input type="checkbox"/> /W White (default)	<input type="checkbox"/> <b>Custom</b> (Please Specify) _____



Schedule type: _____
Job: _____
Architect: _____
Engineer: _____
Contractor: _____