

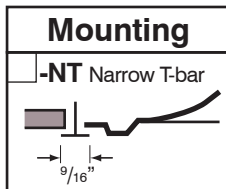
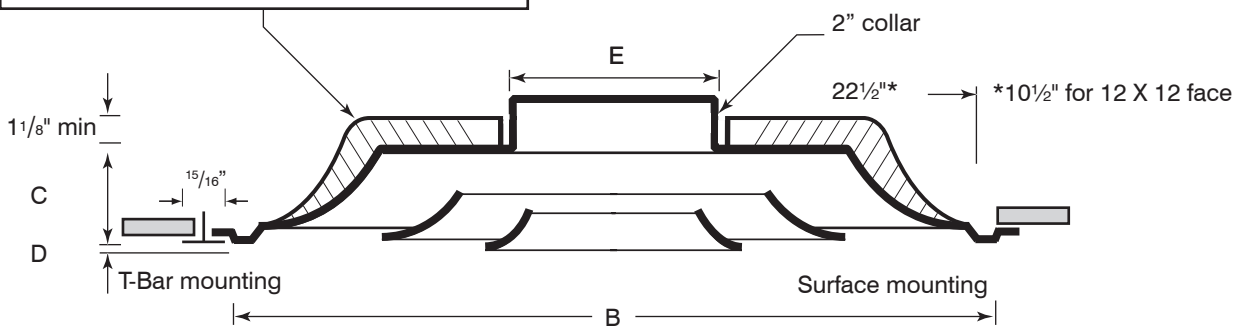
Aluminum Ceiling Square Diffuser 3 Cone - Fixed air pattern - 2" High Collar

Material: Stamped heavy gauge steel.
Finish: Powder paint coating - white.
Air Pattern: Fixed horizontal 360° diffusion.
Safety: Seismic tabs.
Mounting: Surface or Lay-in T-bar ceiling.
 Unlock hanger brackets by swiveling lever down. Holding cone L at opposite sides, push upwards, then turn clockwise and drop core free from back plenum.


DF3D

Optional fiberglass insulation on back panel, complies with A.S.T.M. E84 flame and smoke test. (Available only on models with 24" x 24" face)

-R4 -R6



Round Collar Baffles				
W1 1 Way	WC 2 Way Corner	WO 2 Way Opposed	W3 3 Way	W4 4 Way (default)

Panel Option for T-bar lay-in Ceiling		
W	Steel (WxH)	Aluminum (WxH)
	<input type="checkbox"/> -X2412	<input type="checkbox"/> -Y2412
	<input type="checkbox"/> -X2424	<input type="checkbox"/> -Y2424
	<input type="checkbox"/> -X2448	<input type="checkbox"/> -Y2448
	<input type="checkbox"/> -X4824	<input type="checkbox"/> -Y4824
	<input type="checkbox"/> -X2020	<input type="checkbox"/> -Y2020

No fastening options available

✓	Model #	Duct Size	E	Face Dim B x B	C	D
	DF3D 1206	6	5 7/8"	11 3/4" x 11 3/4"	1 3/4"	7/16"
	DF3D 1208	8	7 7/8"	11 3/4" x 11 3/4"	1 3/4"	7/16"
	DF3D 2406	6	5 7/8"	23 3/4" x 23 3/4"	2 5/16"	1 3/8"
	DF3D 2408	8	7 7/8"	23 3/4" x 23 3/4"	2 5/16"	1 3/8"
	DF3D 2410	10	9 7/8"	23 3/4" x 23 3/4"	2 5/16"	1 3/8"
	DF3D 2412	12	11 7/8"	23 3/4" x 23 3/4"	2 5/16"	1 3/8"
	DF3D 2414	14	11 7/8"	23 3/4" x 23 3/4"	2 5/16"	1 3/8"

Finish	
<input type="checkbox"/> /W White (Default)	<input type="checkbox"/> /C Custom (Please Specify)



Equalizing Grid (Option)	Damper (Option)	Plaster Frame (Option)
Refer to NEG 	Refer to N4 Opposed Blade	Refer to N5 Sliding Blade
		Refer to PF

Schedule type: _____
 Job: _____
 Architect: _____
 Engineer: _____
 Contractor: _____