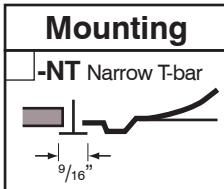
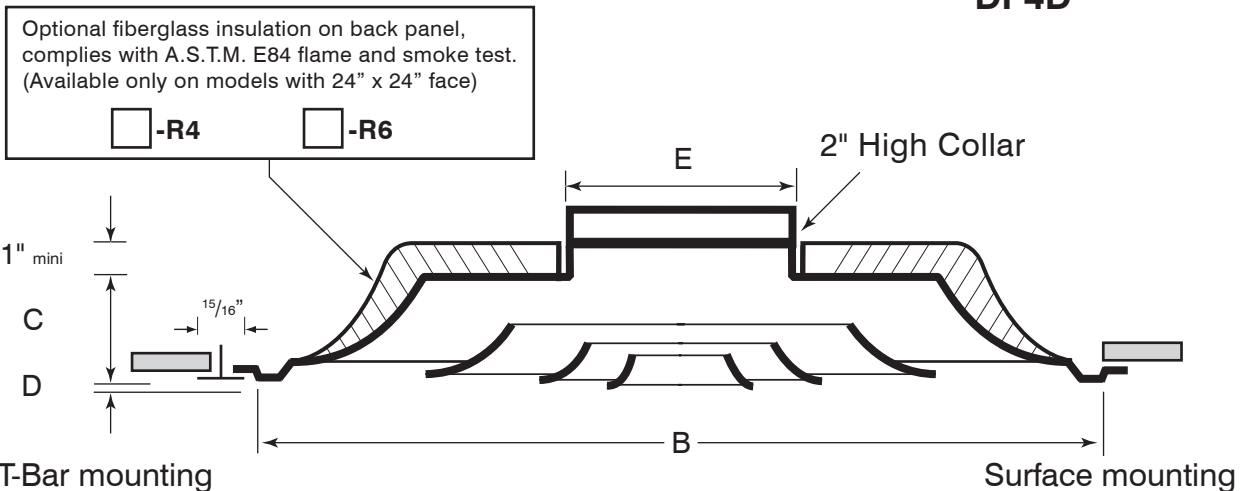


## Aluminum Ceiling Square Diffuser 4 Cone - Fixed air pattern - 2" High Collar

**Material:** Stamped heavy gauge steel.  
**Finish:** Powder paint coating - white.  
**Air Pattern:** Fixed horizontal 360° diffusion.  
**Safety:** Seismic tabs.  
**Mounting:** Surface or Lay-in T-bar ceiling.  
 Unlock hanger brackets by swiveling lever down. Holding cone L at opposite sides, push upwards, then turn clockwise and drop core free from back plenum.


**DF4D**


Round Collar Baffles				
W1 1 Way	WC 2 Way Corner	WO 2 Way Opposed	W3 3 Way	W4 4 Way (default)

**Panel Option for T-bar lay-in Ceiling**

W	H	Steel (WxH)		Aluminum (WxH)	
		<input type="checkbox"/> -X2412	<input type="checkbox"/> -Y2412	<input type="checkbox"/> -X2424	<input type="checkbox"/> -Y2424
		<input type="checkbox"/> -X4824	<input type="checkbox"/> -Y4824	<input type="checkbox"/> -X2020	<input type="checkbox"/> -Y2020

No fastening options available

✓	Model #	Duct Size	E	Face Dim B x B	C	D
	DF4 2406	6	5 7/8"	23 3/4" x 23 3/4"	2 5/16"	1 3/8"
	DF4 2408	8	7 7/8"	23 3/4" x 23 3/4"	2 5/16"	1 3/8"
	DF4 2410	10	9 7/8"	23 3/4" x 23 3/4"	2 5/16"	1 3/8"
	DF4 2412	12	11 7/8"	23 3/4" x 23 3/4"	2 5/16"	1 3/8"
	DF4 2414	14	11 7/8"	23 3/4" x 23 3/4"	2 5/16"	1 3/8"

**Finish**

<input type="checkbox"/> /W	<input type="checkbox"/> /C Custom (Please Specify)
White (Default)	



Equalizing Grid (Option)	Damper (Option)		Plaster Frame (Option)
Refer to NEG 	Refer to N4 	Refer to N5 	Refer to PF 
	Opposed Blade	Sliding Blade	

Schedule type: \_\_\_\_\_

Job: \_\_\_\_\_

Architect: \_\_\_\_\_

Engineer: \_\_\_\_\_

Contractor: \_\_\_\_\_