

## Ceiling Diffuser - Aluminum Louvered Face Directional Fixed Air Pattern, Insulated Back

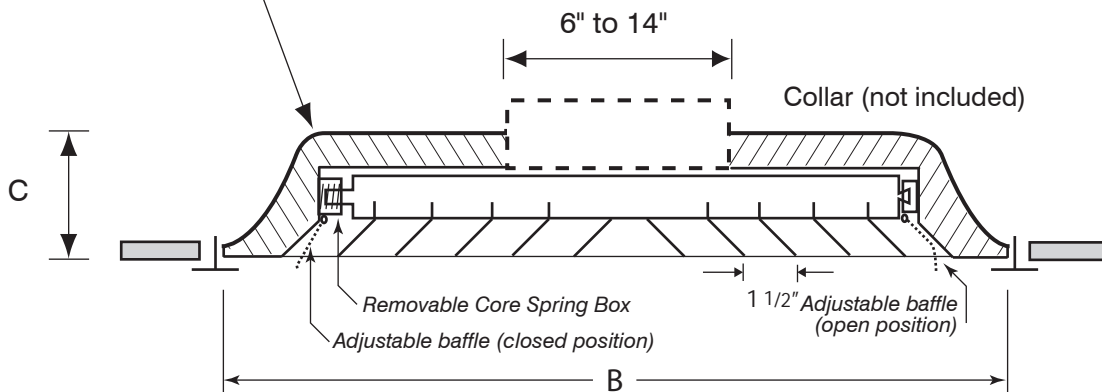
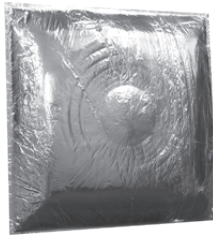
**Material:** Heavy gauge aluminum and molded fiberglass.  
**Finish:** Powder paint coating - white.  
**Mounting:** Lay-in T-bar ceiling.



**DLAI**

R6 fiberglass back complies with A.S.T.M. E84 flame and smoke test.

Scored for collar sizes up to 14" D.  
 Contractor to install job-specific collar in field.



| Model # | Face Dim B x B    | C      |
|---------|-------------------|--------|
| DLAI    | 23 3/4" x 23 3/4" | 3 7/8" |

| Finish                                      |   |
|---|---|
| <input type="checkbox"/> /W White (Default) | <input type="checkbox"/> /C Custom (Please Specify) |



| Core Selection (-W) & Adjustable Baffles (-A) |                                      |                                      |                                      |                                      |
|---|--------------------------------------|--------------------------------------|--------------------------------------|--------------------------------------|
| <b>-W1</b> 1 Way<br>                          | <b>-WC</b> 2 Way Corner<br>          | <b>-WO</b> 2 Way Opposed<br>         | <b>-W3</b> 3 Way<br>                 | <b>-W4</b> 4 Way (Default)<br>       |
| <b>-A1</b> shown here in dotted line          | <b>-AC</b> shown here in dotted line | <b>-A0</b> shown here in dotted line | <b>-A3</b> shown here in dotted line | <b>-A4</b> shown here in dotted line |

Schedule type: \_\_\_\_\_

Job: \_\_\_\_\_

Architect: \_\_\_\_\_

Engineer: \_\_\_\_\_

Contractor: \_\_\_\_\_