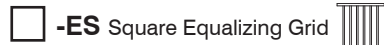
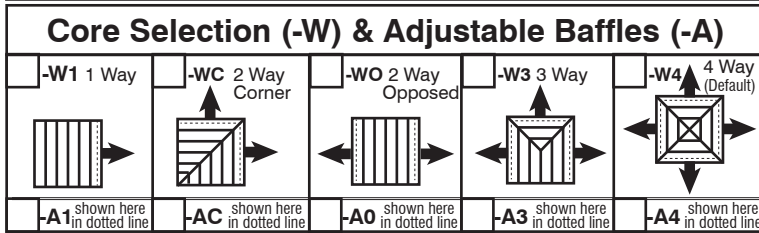
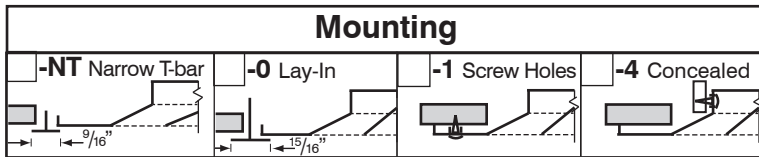
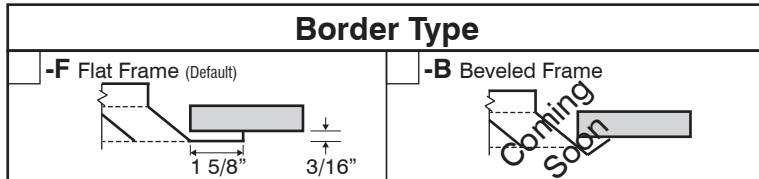
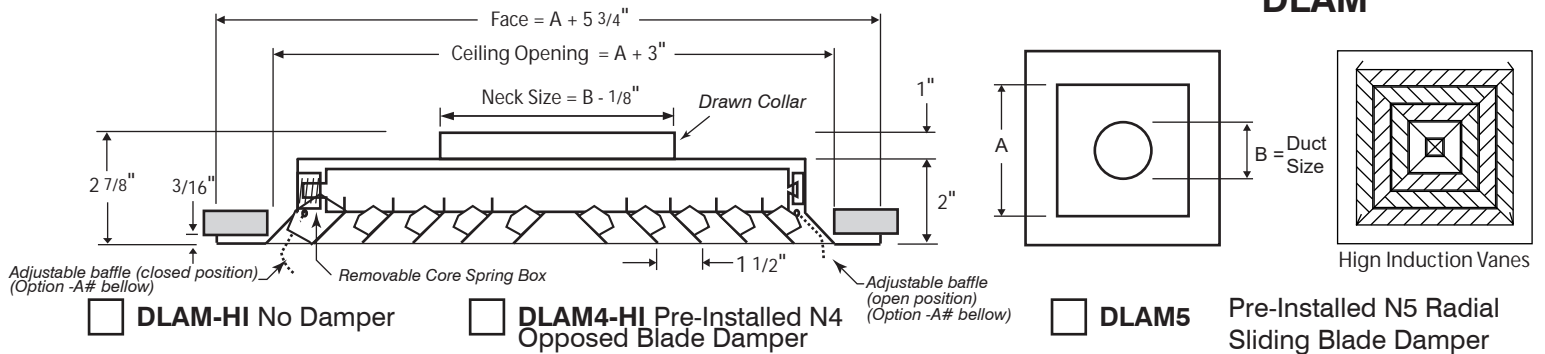


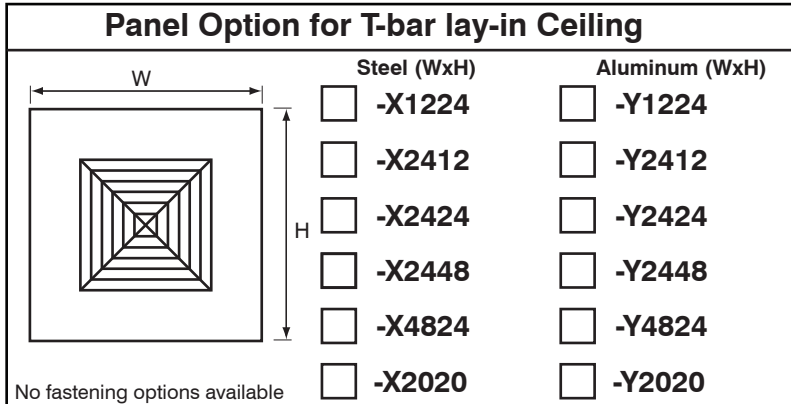
Ceiling Diffuser - Aluminum Louvered Face Directional Fixed Air Pattern, Round Neck

Material: Heavy gauge aluminum.
Finish: Powder paint coating - white.
Mounting: Surface or Lay-in T-bar ceiling.
Volume Control: Available with pre-installed opposed blade damper (Model# DLAM4-HI) or radial sliding blade damper (Model# DLAM5-HI).


DLAM


✓	Model #	A	B	Neck Size	Face Size
	0606 06	6 x 6	6	5 7/8	11 3/4 x 11 3/4
	0909 06	9 x 9	6	5 7/8	14 3/4 x 14 3/4
	0909 08	9 x 9	8	7 7/8	14 3/4 x 14 3/4
	1212 06	12 x 12	6	5 7/8	17 3/4 x 17 3/4
	1212 08	12 x 12	8	7 7/8	17 3/4 x 17 3/4
	1212 10	12 x 12	10	9 7/8	17 3/4 x 17 3/4
	1212 12	12 x 12	12	11 7/8	17 3/4 x 17 3/4
	1515 06	15 x 15	6	5 7/8	20 3/4 x 20 3/4
	1515 08	15 x 15	8	7 7/8	20 3/4 x 20 3/4
	1515 10	15 x 15	10	9 7/8	20 3/4 x 20 3/4
	1515 12	15 x 15	12	11 7/8	20 3/4 x 20 3/4
	1515 14¹	15 x 15	14	13 7/8	20 3/4 x 20 3/4
	1818 06	18 x 18	6	5 7/8	23 3/4 x 23 3/4
	1818 08	18 x 18	8	7 7/8	23 3/4 x 23 3/4
	1818 10	18 x 18	10	9 7/8	23 3/4 x 23 3/4
	1818 12	18 x 18	12	11 7/8	23 3/4 x 23 3/4
	1818 14¹	18 x 18	14	13 7/8	23 3/4 x 23 3/4
	1818 16²	18 x 18	16	15 7/8	23 3/4 x 23 3/4

¹ Size not available for DLAM5 ² Size not available for DLAM4 and DLAM5



Schedule type: _____
 Job: _____
 Architect: _____
 Engineer: _____
 Contractor: _____