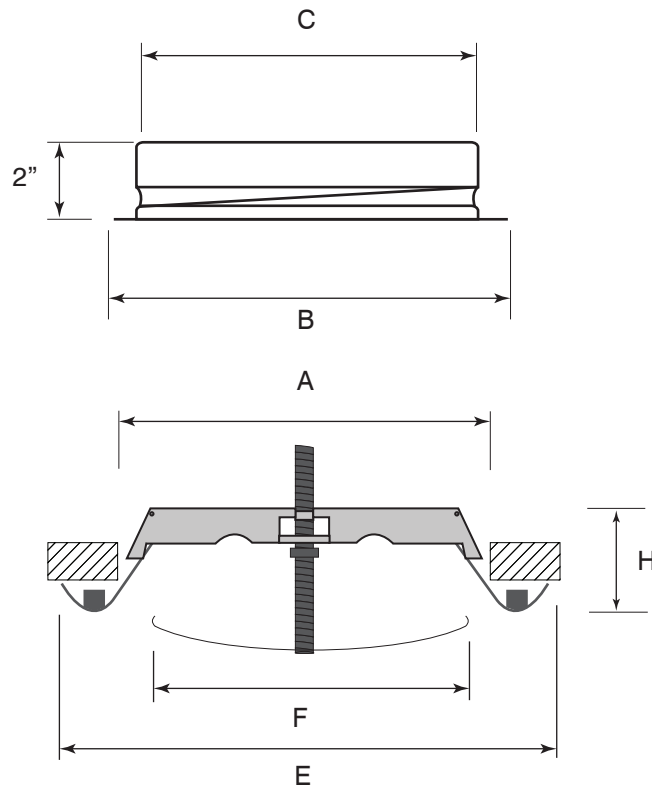


Mini Valve Diffuser

Pressed steel, Adjustable core

- Material:** Powder coated heavy gauge steel.
Galvanized steel mounting.
- Finish:** Powder paint coating - white.
- Air Pattern:** 360° diffusion, vertically adjustable.
- Mounting:** Surface or open ceiling.
- Core Adjustment:** Rotate the core clockwise or counterclockwise to adjust flow.


DRV


Finish	
<input type="checkbox"/> /W	<input type="checkbox"/> /C Custom (Please Specify)
White (Default)	_____



	Model	Duct Size	A	F	H	C	B	E
	DRV 03	3"	3.03	2.44"	1.58"	3.11"	4.13"	4.53"
	DRV 04	4"	4.09"	2.95"	1.57"	3.9"	4.92"	5.39"
	DRV 05	5"	5.08"	3.9"	1.81"	4.88"	5.91"	6.46"
	DRV 06	6"	6.65"	5.08"	2.13"	5.9"	6.91"	7.75"
	DRV 08	8"	8.23"	6.18"	2.48"	7.83"	8.85"	9.76"

Schedule type: _____
Job: _____
Architect: _____
Engineer: _____
Contractor: _____