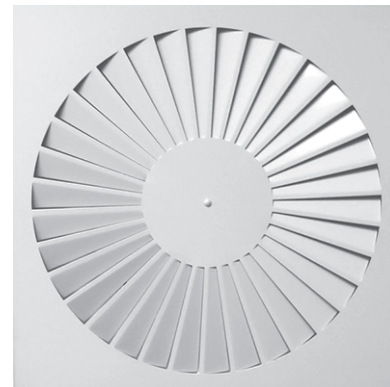


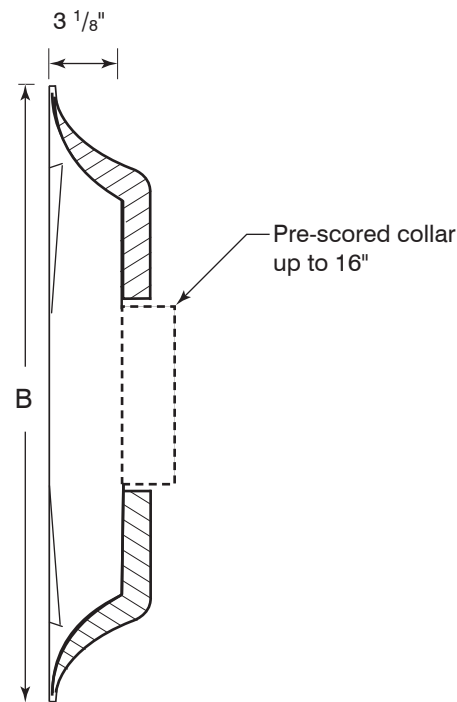
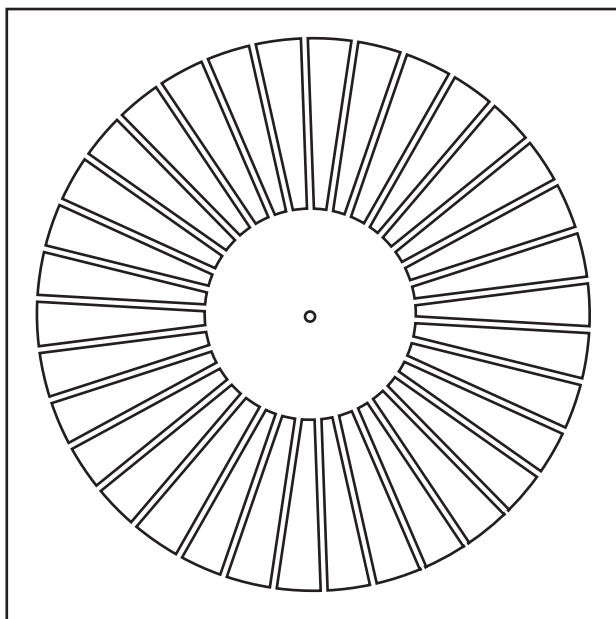
## Swirl Face Supply Diffuser Fixed face

**Material:** Stamped heavy gauge steel back panel.  
**Finish:** Powder paint coating - white.  
**Air Pattern:** Fixed 360° spiral pattern.  
**Mounting:** Lay-in T-bar ceiling.  
**Insulation:** R6 Molded Fiberglass.



**ADSWI**  
All Aluminum

Fiberglass back complies with  
A.S.T.M. E84 flame and smoke test.  
Scored for collar sizes up to 14" D.



Finish	
<input type="checkbox"/> /W White (Default)	<input type="checkbox"/> /C Custom (Please Specify) _____



Schedule type: \_\_\_\_\_

Job: \_\_\_\_\_

Architect: \_\_\_\_\_

Engineer: \_\_\_\_\_

Contractor: \_\_\_\_\_