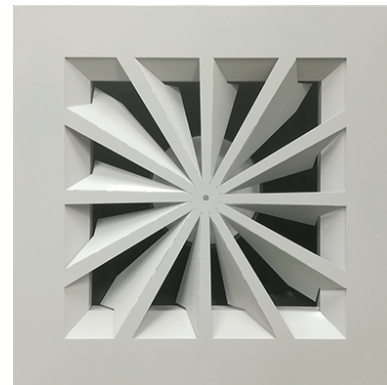
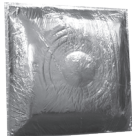
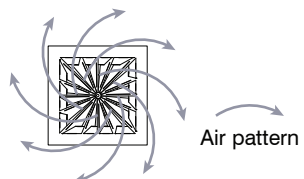
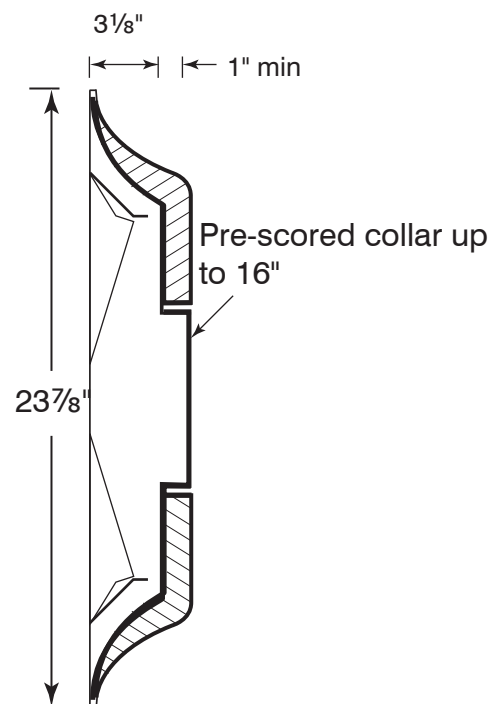
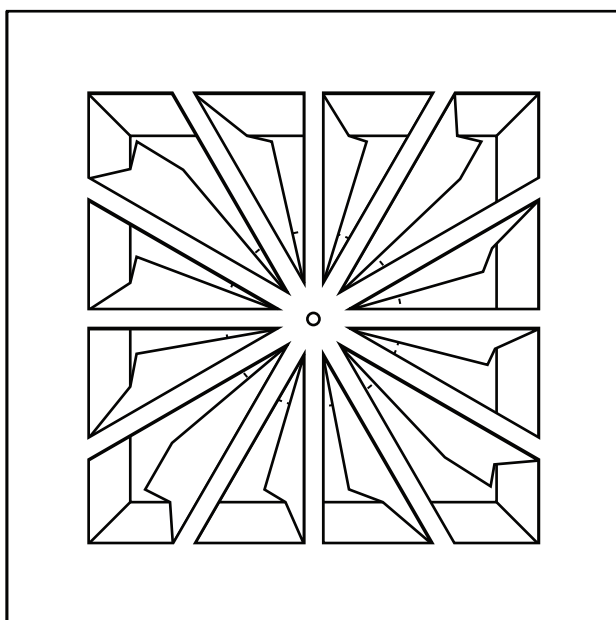


Stamped Twist Diffuser Fixed Face - Fiberglass Insulation

Finish: Stamped heavy gauge steel
Material: Powder paint coating - white
Air Pattern: Fixed 360° spiral pattern
Mounting: Lay-in T-bar ceiling


DTWI


Fiberglass back complies with
 A.S.T.M. E84 flame and smoke test.
 Scored for collar sizes up to 14" D.



Finish	
<input type="checkbox"/> /W	<input type="checkbox"/> /C Custom (Please Specify)
White (Default)	_____



Schedule type: _____
 Job: _____
 Architect: _____
 Engineer: _____
 Contractor: _____