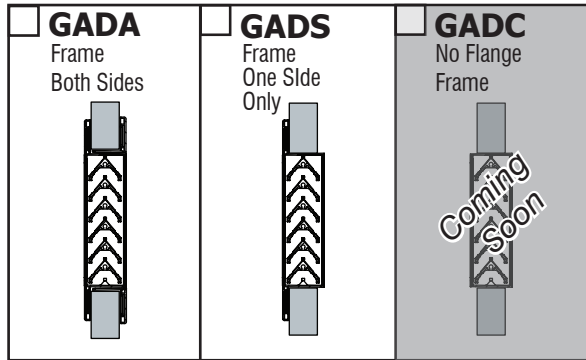
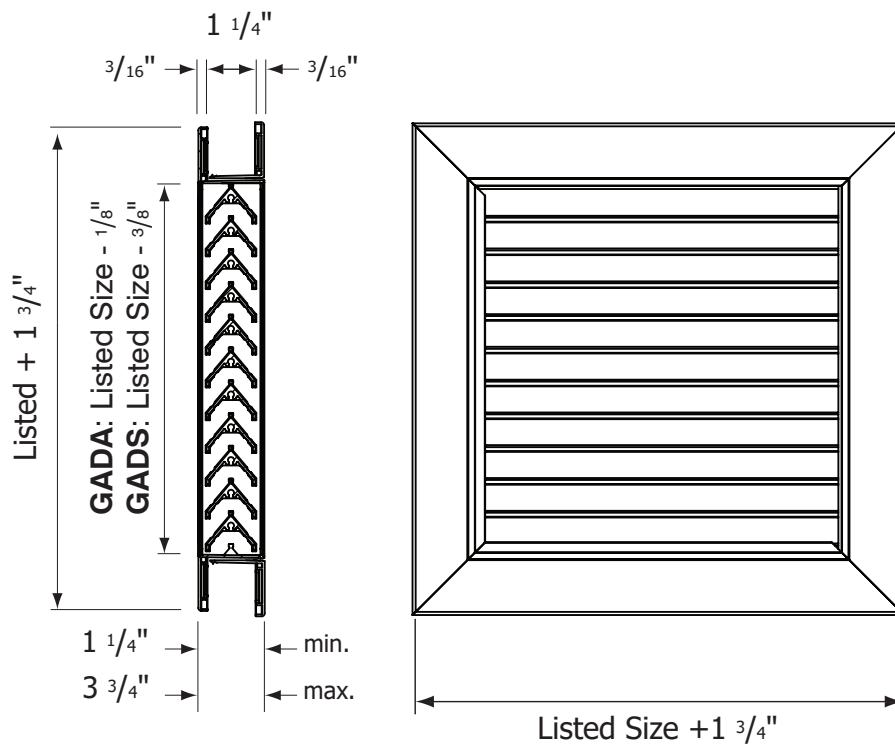


Sight Proof Heavy Duty Aluminum Transfer Air Door Grille



GADA



Finish		
<input type="checkbox"/> /W White <small>(default)</small>	<input type="checkbox"/> /M Mill	<input type="checkbox"/> Custom <small>(please specify)</small>

Schedule type: _____

Job: _____

Architect: _____

Engineer: _____

Contractor: _____