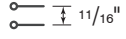

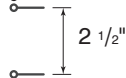


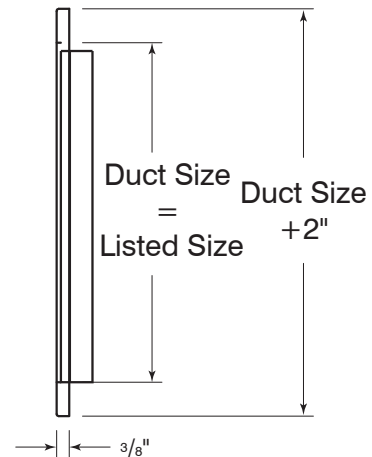
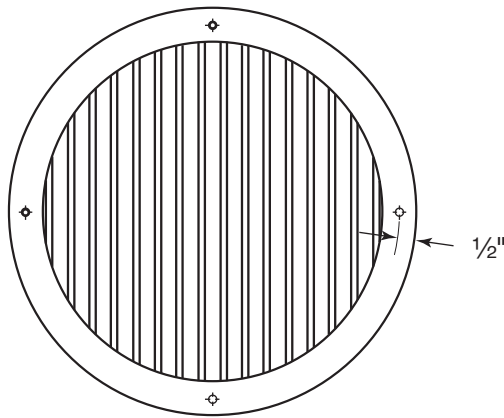
Round Single Deflection Grille

Material: Heavy gauge aluminum, roll-formed fins.
Finish: Powder paint coating - white.
Mounting: Surface mounting.
 Countersunk mounting holes on frame.



Fin spacing

- GAR11** (Default) 
- GAR12** 
- GAR13** 



✓	Model #	Duct Size
	GAR1 06	6"
	GAR1 08	8"
	GAR1 10	10"
	GAR1 12	12"
	GAR1 14	14"
	GAR1 16	16"
	GAR1 18	18"
	GAR1 20	20"
	GAR1 22	22"
	GAR1 24	24"

Finish	
<input type="checkbox"/> /W White (Default)	<input type="checkbox"/> /C Custom (Please Specify) _____



Schedule type: _____

Job: _____

Architect: _____

Engineer: _____

Contractor: _____