

## Single Deflection Spiral Duct Grille Adjustable Air Pattern

- Material:** Aluminum construction.  
Adjustable blades.
- Finish:** Powder paint coating - white.
- Mounting:** Countersunk mounting holes on frame.
- Spacing:** 2/3" Blade Spacing


**GDA10**

### Horizontal Face Blades

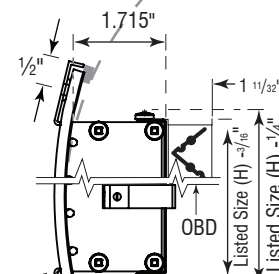
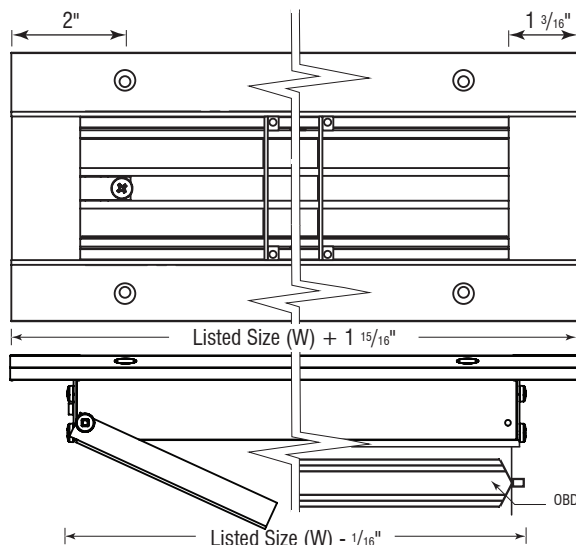
- GDA10-H** Aluminum Fins
- GDA17-H** Steel Opposed Blade Damper
- GDA18-H** Aluminum Fins with Air Scoop

### Vertical Face Blades

- GDA10-V** Aluminum Fins
- GDA17-V** Steel Opposed Blade Damper
- GDA18-V** Aluminum Fins with Air Scoop

**Nice feature:** Fins follow the curve on the face of the grille.

- Super easy to order and keep stock!
- No need to specify duct dimension!
- Just width and height of the grille!



3/4" leak-proof gasket to fit all duct sizes if no duct diameter specified otherwise 1/2" leak-proof gasket when duct diameter specified bigger than 20" & none when lesser than 20" (see **-GK** option below).

Duct D (in inches)	Duct Cut Out Opening					
	H = 3"	H = 4"	H = 6"	H = 8"	H = 10"	H = 12"
-D06	3"	4 <sup>3/8</sup> "				
-D08	3"	4 <sup>1/4</sup> "	6 <sup>3/4</sup> "			
-D10	3"	4 <sup>1/8</sup> "	6 <sup>1/4</sup> "	9 <sup>1/4</sup> "		
-D12	3"	4 <sup>1/8</sup> "	6 <sup>1/4</sup> "	8 <sup>3/4</sup> "	11 <sup>3/4</sup> "	
-D14	3"	4"	6 <sup>1/4</sup> "	8 <sup>1/4</sup> "	11 <sup>1/8</sup> "	14 <sup>3/8</sup> "
-D16	3"	4"	6 <sup>1/8</sup> "	8 <sup>3/8</sup> "	10 <sup>3/4</sup> "	13 <sup>1/4</sup> "
-D18	3"	4"	6 <sup>1/8</sup> "	8 <sup>1/4</sup> "	10 <sup>5/8</sup> "	13 <sup>1/8</sup> "
-D20	3"	4"	6 <sup>1/8</sup> "	8 <sup>1/4</sup> "	10 <sup>1/4</sup> "	12 <sup>7/8</sup> "
-D22	3"	4"	6 <sup>1/8</sup> "	8 <sup>1/4</sup> "	10 <sup>3/8</sup> "	12 <sup>3/4</sup> "
-D24	3"	4"	6"	8 <sup>1/8</sup> "	10 <sup>1/4</sup> "	12 <sup>1/4</sup> "
-D26	3"	4"	6"	8 <sup>1/8</sup> "	10 <sup>1/4</sup> "	12 <sup>1/4</sup> "
-D34	3"	4"	6"	8"	10 <sup>1/8</sup> "	12 <sup>1/4</sup> "
-D44	3"	4"	6"	8"	10"	12 <sup>1/8</sup> "
Over 64	3"	4"	6"	8"	10"	12"
<b>Universal/Default Duct Diameter</b>	-D10*	-D08*	-D14*	-D18*	-D26*	-D26*

**Options**

**-GK** (1/2" x 1/2" thick)

Flange Gasket  
(included over 20" D)



**Finish**

/W White (Default)     /M Mill Finish     **Custom** (Please Specify)

Schedule type: \_\_\_\_\_

Job: \_\_\_\_\_

Architect: \_\_\_\_\_

Engineer: \_\_\_\_\_

Contractor: \_\_\_\_\_

\*See bold-border box in the column above.

Can specify exact duct diameter or not. If no diameter specified, then **universal/default** duct diameter is used and a 3/4" leak-proof gasket is used to fit all duct sizes.

Not recommended, grille neck blocking air flow. Try smaller height and longer grille. Must **specify exact duct diameter** if you really want this size.

Not possible. Will not fit the duct.

Universal/Default duct diameter will not fit for these duct sizes. Must **specify exact duct diameter** if you really want this size. Best to try smaller height and longer grille in order to use a **universal/default** sized grille.