

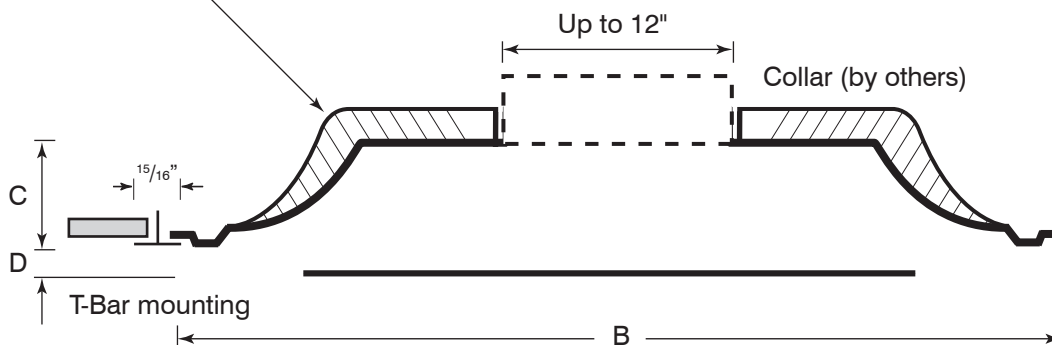
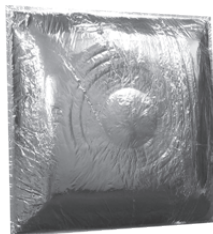
Square Plaque Diffuser - Architectural Line Insulated, One Size Fits All

- Material:** Stamped heavy gauge steel.
Finish: Powder paint coating - white.
Mounting: Lay-in T-bar ceiling.
Air Pattern: Fixed horizontal 360° diffusion.
Safety: Seismic tabs.
Core Removal: Unlock hanger brackets by swiveling lever down. Holding core panel at opposite sides, push upwards, then turn clockwise and drop core free from back plenum.


ISOI

R6 fiberglass back complies with A.S.T.M. E84 flame and smoke test.

Scored for collar sizes up to 12" D. Contractor to install job-specific collar in field. For size 14", please refer to model ISO-R6 2414.



Model #	Face Dim B x B	C	D
AISO3I	23 ³ / ₄ " x 23 ³ / ₄ "	2 ⁷ / ₈ "	⁷ / ₈ "

Finish	
<input type="checkbox"/> /W White (Default)	<input type="checkbox"/> /C Custom (Please Specify)



Schedule type: _____

Job: _____

Architect: _____

Engineer: _____

Contractor: _____