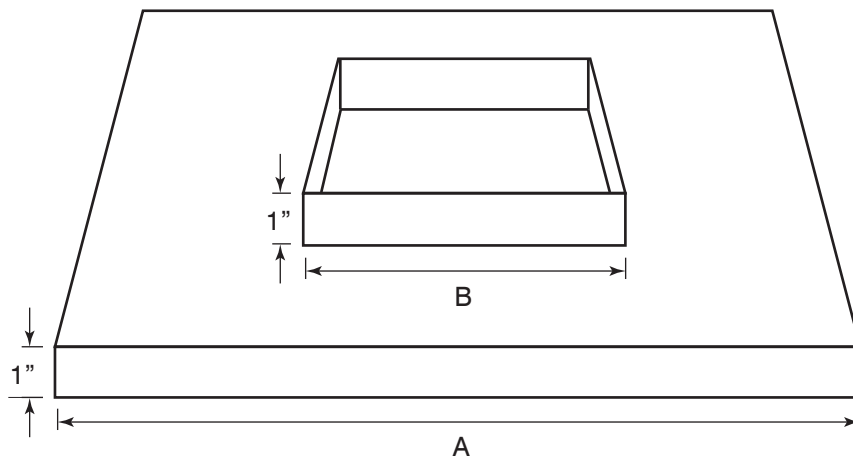


## Square to Square Transition

**Material:** 22 gauge steel.



✓	Listed A	Actual Interior Dimension
	2424	24" x 24"
	2222	22" x 22"
	1212	12" x 12"
	1010	10" x 10"

✓	Listed B	Actual Interior Dimension
	2222	21 7/8" x 21 7/8"
	2020	19 7/8" x 19 7/8"
	1818	17 7/8" x 17 7/8"
	1616	15 7/8" x 15 7/8"
	1414	13 7/8" x 13 7/8"
	1212	11 7/8" x 11 7/8"
	1010	9 7/8" x 9 7/8"
	0808	7 7/8" x 7 7/8"
	0606	5 7/8" x 5 7/8"
	0404	3 7/8" x 3 7/8"



Finish		
<input type="checkbox"/> /W White (Default)	<input type="checkbox"/> /M Mill Finish	<input type="checkbox"/> /C Custom (Please Specify)

Schedule type: _____
Job: _____
Architect: _____
Engineer: _____
Contractor: _____